

MS1 - 300 / 400 SERIES STARTER MOTOR [METRIC TERMINALS]

TYPE / PART NO:	FIELD RING ASSY [1]	ARMATURE ASSY [2]	SHIFT HSG ASSY [3]	BRUSH HOLDER ASSY [5]	NOSE HSG. ASSY [6]	DRIVE UNIT [8]	THRUST WASHER [10]	SPRING CLEANER [11]	SHIFT HSG. [42]	FIELD RING [57]
	SEE NOTE 6	SEE NOTE 1	SEE NOTE 2	SEE NOTE 3	QTY					
MS1-300A	859736	852529	859689	859740	851346/2	852959	2	NOT REQD	859688	859713
MS1-300C	859736	852529	859689	859740	851346/2	852959	2	NOT REQD	859688	859713
MS1-301A	859736	852529	859689	859740	851346/2	852959	2	NOT REQD	859688	859713
MS1-301C	859736	852529	859689	859740	851346/2	852959	2	NOT REQD	859688	859713
MS1-302A	859736	852529	859689	859740	851346/2	852959	2	NOT REQD	859688	859713
MS1-303A	859736	852529	859689	859740	851341/2	852959	2	NOT REQD	859688	859713
MS1-304A	859736	852529	859689	859740	850463/2	852957	2	NOT REQD	859688	859713
MS1-305A	859736	852529	859689	859740	850463/2	852957	2	NOT REQD	859688	859713
MS1-305P	859736	852529	859689	859740	850463/2	852957	2	NOT REQD	859688	859713
MS1-306A	859736	852529	859689	859740	856104/2	852957	2	NOT REQD	859688	859713
MS1-307A	859736	852529	859689	859740	856104/2	852959	2	NOT REQD	859688	859713
MS1-307C	859736	852529	859689	859740	856104/2	852959	2	NOT REQD	859688	859713
MS1-308P	859736	852529	859689	859740	850463/2	852959	2	NOT REQD	859688	859713
MS1-309P	859736	852529	859689	859740	850463/2	852957	2	NOT REQD	859688	859713
MS1-310A	859736	852529	859689	859740	850463/2	852957	2	NOT REQD	859688	859713
MS1-311A	859736	852529	859689	859740	851319/2	852959	2	NOT REQD	859688	859713
MS1-317A	859736	852529	859689	859740	851346/2	852959	2	NOT REQD	859688	859713
MS1-319A	859736	852529	859689	859740	851346/2	852957	2	NOT REQD	859688	859713
MS1-322A	859736	852529	859689	859740	850620/2	852957	2	NOT REQD	859688	859713
MS1-326A	859736	851330	859689	859740	851346/2	852959	2	NOT REQD	859688	859713
MS1-326C	859736	851330	859689	859740	851346/2	852959	2	NOT REQD	859688	859713
MS1-327A	859736	851330	859689	859740	851345/2	852959	2	NOT REQD	859688	859713
MS1-327C	859736	851330	859689	859740	851345/2	852959	2	NOT REQD	859688	859713
MS1-328A	859736	852529	859689	859740	858362/2	852957	2	NOT REQD	859688	859713
MS1-329C	859736	852529	859689	859740	851346/2	852959	2	NOT REQD	859688	859713
MS1-330A	859736	852529	859689	859740	851346/2	852957	2	NOT REQD	859688	859713
MS1-330C	859736	852529	859689	859740	851346/2	852957	2	NOT REQD	859688	859713
MS1-332A	859736	852529	859689	859740	855845/2	852957	2	NOT REQD	859688	859713
MS1-341A	859736	852529	859689	859740	851346/2	852959	2	NOT REQD	859688	859713
MS1-400EX	859736	852529	859689	859740	851346/2	852959	1	859507	859688	859713
MS1-401A	859736	852529	859689	859740	851346/2	852959	1	859507	859688	859713
MS1-401E	859736	852529	859689	859740	851346/2	852959	1	859507	859688	859713
MS1-401EX	859736	852529	859689	859740	851346/2	852959	1	859507	859688	859713
MS1-402A	859736	852529	859689	859740	851346/2	852959	1	859507	859688	859713
MS1-403A	859736	852529	859689	859740	851341/2	852959	1	859507	859688	859713
MS1-404P	859736	852529	859689	859740	850463/2	852957	1	859507	859688	859713
MS1-406A	859736	852529	859689	859740	856104/2	852957	1	859507	859688	859713
MS1-410EX	859736	852529	859689	859740	850463/2	852957	1	859507	859688	859713
MS1-410P	859736	852529	859689	859740	850463/2	852957	1	859507	859688	859713
MS1-411A	859736	852529	859689	859740	851319/2	852959	1	859507	859688	859713
MS1-411E	859736	852529	859689	859740	851319/2	852959	1	859507	859688	859713
MS1-411EX	859736	852529	859689	859740	851319/2	852959	1	859507	859688	859713
MS1-417A	859736	852529	859689	859740	851346/2	852959	1	859507	859688	859713
MS1-417E	859736	852529	859689	859740	851346/2	852959	1	859507	859688	859713
MS1-419A	859736	852529	859689	859740	851346/2	852957	1	859507	859688	859713
MS1-421E	859736	852529	859689	859740	851319/2	852959	1	859507	859688	859713
MS1-421EX	859736	852529	859689	859740	851319/2	852959	1	859507	859688	859713
MS1-440E	859736	852529	859689	859740	858240/2	852959	1	859507	859688	859713
MS1-442E	859736	852529	859689	859740	851319/2	852959	1	859507	859688	859713
MS1-443E	859736	852529	859689	859740	851319/2	852959	1	859507	859688	859713
MS1-443EX	859736	852529	859689	859740	851319/2	852959	1	859507	859688	859713
MS1-449A	859736	852529	859689	859740	851346/2	852959	1	859507	859688	859713
MS1-450A	6512-172	852529	6512-171	859740	6512-180	852959	1	859507	6512-165	6512-166
MS1-458	859736	852529	859689	6512-196	6512-195	852957	1	859507	859688	859713
MS1-460	859736	852529	859689	859740	851346/2A	852959	1	859507	859688	859713

MS1 - 300 / 400 SERIES STARTER MOTOR [METRIC TERMINALS]

COMMON PARTS

REF. NO:	PART NO:	QTY	DESCRIPTION	REF. NO:	PART NO:	QTY	DESCRIPTION
4	6512-77	1	C.E. HSG.ASSY - SEE NOTE 7	40	854101	2	PLAIN WASHER
7	859765	1	SWITCH ASSY	43	850143	1	"O" RING
9	858432/1	1	LEAD ASSY	44	850137	1	OIL SEAL
10	850797	-	THRUST WASHER	45	855174	1	OILITE BUSH
12	859711	1	BRUSH HOLDER SUB ASSY	46	854386	1	SHAKEPROOF WASHER
13	858294	1	THRUST WASHER	47	850141	2	BUSH
14	5335-991	5	BUTTON HD SCREW	48	6512-78	1	C.E. HSG SUB ASSY - NOTE 5
16	859922	1	LEVER ARM	49	850154	1	FELT WICK
17	850148	2	FIBRE THRUST WASHER	50	858585	1	PLUG
18	853239	2	CAM	51	859788	1	"O" RING
19	850466	6	SKT HD CAPSCREW	52	859786	1	JUMPER & BOLT ASSY [-VE]
20	850150	6	SEALING PLUG	53	859782	4	BRUSH
21	6512-34	1	PLAIN WASHER	54	859778	4	BRUSH SPRING
22	850144	1	"O" RING	55	850161	4	SCREW
23	850147	1	FIBRE THRUST WASHER	56	859940	4	SLEEVING
24	850146	1	THRUST WASHER	58	850176	4	POLE PIECE
25	859775	1	JUMPER	59	859735	1	FIELD COIL & JUMPER ASSY
26	6512-30	2	M12 FLANGE NUT	60	850184	8	SCREW
27	859791	3	M12 HEX LOCKNUT	61	859502	8	SEALING WASHER
28	858631	2	SPRING WASHER	62	850179	1	INSULATOR
29	859789	1	INSULATOR	63	859802	1	TERMINAL BOLT
30	859833	1	"O" RING	64	859781	1	INSULATION BUSH
31	859822	1	BRUSH HOLDER INSULATOR	65	850224	1	PLAIN WASHER
32	852993	2	M6 HEX NUT	66	859791	1	M12 HEX LOCKNUT
33	859960	1	PIVOT BOLT	67	850182	2	INSULATION BUSH
34	859790	1	INSULATOR	68	858418	1	"O" RING
35	850224	2	PLAIN WASHER	69	859945	2	SPRING TENSION PIN
36	850651	1	SHAKEPROOF WASHER	70	850180	1	INSULATOR
37	859783	4	SEALING WASHER	71	860088	1	INSULATOR
38	859240	4	THROUGH BOLTS	72	6512-197	1	JUMPER & BOLT ASSY [-VE]
39	5335-992	2	BUTTON HD SCREW				

NOTE 1 - SHIFT HOUSING ASSY [ITEM 3] COMPRISES ITEMS 16, 22, 32, 33, 42, 43, 44, 45 & 46

NOTE 2 - BRUSH HOLDER ASSY [PART NO: 859740] COMPRISES ITEMS 12, 52, 53, 54, 55 & 56

NOTE 2 - BRUSH HOLDER ASSY [PART NO: 6512-196] COMPRISES ITEMS 12, 53, 54, 55 & 72

NOTE 3 - NOSE HOUSING ASSY [ITEM 6] IS FITTED WITH BUSH ITEM 47

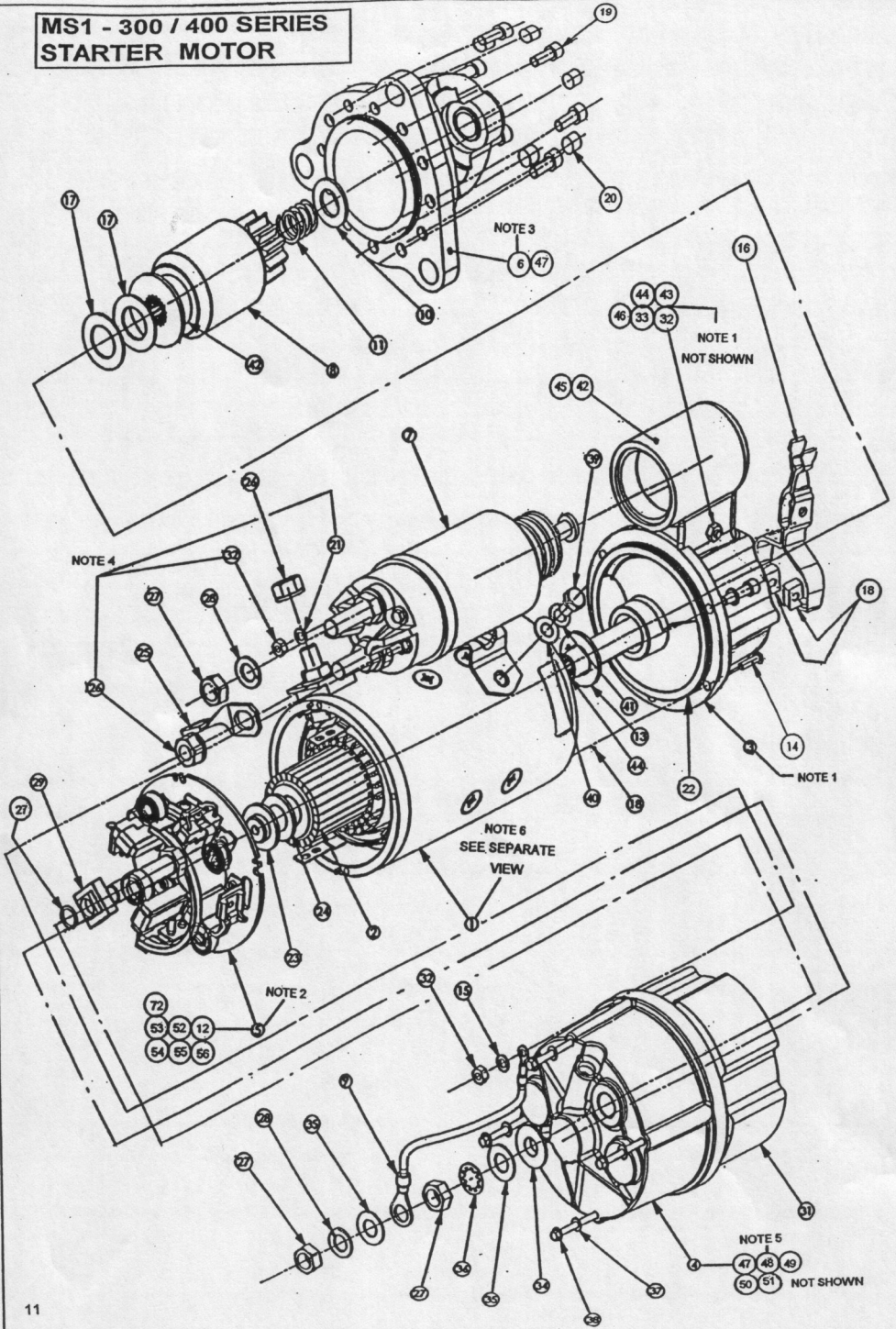
NOTE 4 - ITEMS 21, 26 & 32 SUPPLIED WITH SWITCH UNIT ITEM 7

NOTE 5 - C.E. HSG SUB-ASSY [ITEM 48] IS FITTED WITH BUSH ITEM 47

NOTE 6 - FIELD RING ASSY [ITEM 1] COMPRISES ITEMS 57, 58, 59, 60, 61, 62, 63, 64, 65, 66, 67, 68, 69, 70 & 71

NOTE 7 - C.E. HOUSING ASSY [ITEM 4] COMPRISES ITEMS 48, 49, 50 & 51

**MS1 - 300 / 400 SERIES
STARTER MOTOR**



**MS1 - 300 / 400 SERIES
FIELD RING ASSEMBLY**

