


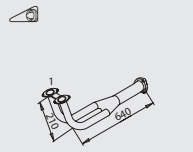
Series LK 6-9 tons

System No.: 350100072

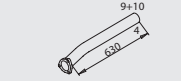
Type	BM
	674.010
5.337.343 ▶CHno	674.011
5.398.761 ▶CHno	674.012
(BM 678.002, 003, 013)	674.013
	674.014
814	674.021
814 K	674.022
814 L	674.023
814 S	674.024
914	674.042
914 K	674.044
1114	674.052
	674.212
	674.213
	674.214
	678.002
	678.003
	678.013

Front pipe

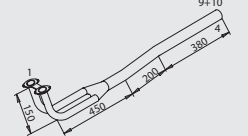
51140
674.490.2019



51141
674.490.1819




52127
674.490.2819
674.490.4119

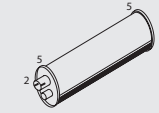


Silencer


51290
674.490.0065



50356
617.490.2201
674.490.0001




99775
071.555.075.502



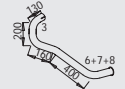
Tail pipe

52708
674.492.0005
674.492.9504



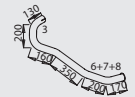
52620
675.492.0804

BM 042, 044

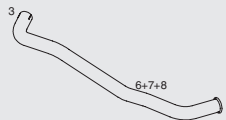


52619
675.492.0604
676.492.3004

BM 674.011, 012, 013, 014, 021, 022, 023, 024, 052, 212, 213, 214, 678.013

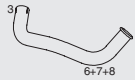


52766
674.492.7504
675.492.0704
675.492.7504



52767
675.492.0904


RHD, 5.743.553 ▶CHno 5.800.000, 5.803.730 ▶CHno



Mounting Parts


1

50919
DICHTUNG/GASKET




2

50924
674.492.0040




3

50926
313.392.0340
673.492.0140




4

99789
071.555.090.501
395.492.0040
645.492.1140




5

50860
674.491.2641
674.491.4541




7, ▶CHno 5.743.552, ▶CHno 5.803.729

50925
309.492.1441
673.492.1041




8, ▶CHno 5.743.552, ▶CHno 5.803.729

50947
674.491.5741



8, 5.743.553 ▶CHno, 5.803.730 ▶CHno

50910
001.987.5340
001.987.9640
384.987.7140



9, Kit

40090



10, Cat. retrofit

40316



Horizontal
LHD
Standard mounting