


Manufacturers part numbers are quoted for reference only

Type	Baumuster
O 305 G	307.100
Gelenkbus	307.101
Turbo	

**Front pipe**

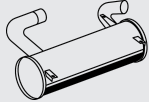
**51154**  
300.490.0059  
0201.166.00  
300.492.0059



**Silencer**

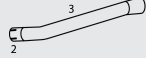
**50377**  
307.490.1301

►CHno 033.182



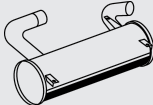
**Tail pipe**

**51622**  
307.490.5621




**50378**  
307.490.1801

033.183 ►CHno




**Mounting Parts**


1.  
**99794**  
071.555.094.502



2.  
**99704**  
071.555.104.501  
940.492.0240



3.  
**99700**  
071.555.100.501  
940.492.0340



Horizontal  
LHD  
Standard