

Manufacturers part numbers are quoted for reference only

Type

Euro III
03/2004 →

18/19 ton.
23,8/25,7 ton.
26 ton.

P230,P270,P310,
P340,P380
R230,R310,R340,
R380,R420, R470,
R480,R500
T470

- ⊗ X ⊗ ⊗ X 2/1 ⊗
- ⊗ X 2/1 ⊗ ⊗ X 4
- ⊗ X ⊗ ⊗ X 2
- ⊗ X 2/1 ⊗ ⊗ X 4
- ⊗ X ⊗

⊗ **DC 9**
8,9 ltr
169 KW/230 HP
198 KW/270 HP
228 KW/310 HP

⊗ **DC 11**
10,6 ltr.
250 KW/340 HP
279 KW/380 HP

⊗ **DC 12**
11,7 ltr.
309 KW/420 HP

⊗ **DT 12**
11,7 ltr
345 KW/470 HP

⊗ **DC 16**
15,6 ltr
368 KW/500 HP
426 KW/580 HP

Horizontal
LHD/RHD
Standard

Front pipe

68137
1533946

D9, D11, D12
AWD
1291877 SSS ▶CHno
3544688 SLA ▶CHno
4500365 SNL ▶CHno
9083195 SAN ▶CHno



68277
1505749

DC 9/11/12




68273
1505748
1477000

DT 12



68090
1484095

DC 16
2002334 SSS ▶CHno
5106747 SNL ▶CHno
9092531 SAN ▶CHno




Mounting Parts


1.
68835
1335618
1422474
1387136



2.
68860
1446097



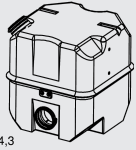
3.
68858
1431579



Silencer

68327
1800871
1337750
1484094

Ø 114,3

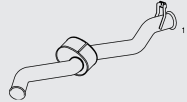


Ø 114,3

Tail pipe


68702
1483280
1405350

D11, D12, D16
80/82 dB
▶CHno 2010136 SSS
▶CHno 5128409 SNL
▶CHno 9102002 SAN



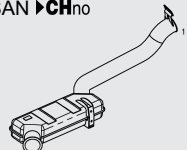
68692
1483278
1397052
1344151

D11, D12, D16
▶CHno 2010136 SSS
▶CHno 5128409 SNL
▶CHno 9101002 SAN



68720
1549217
1780120
1862540

2014272 SSS ▶CHno
5139836 SNL ▶CHno
9106793 SAN ▶CHno



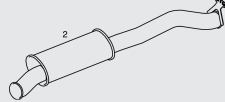
68714
1483286
1435720

Pointing down to the rear E/L



68717
1483281
1445925
1445905

D16
▶CHno 2010136 SSS
▶CHno 5128409 SNL
▶CHno 9102002 SAN




68718
1510575

2010137 SSS ▶CHno 2014271 SSS
5128410 SNL ▶CHno 5139835 SNL
9102003 SAN ▶CHno 9106792 SAN



68716
1483285

Pointing down to the rear N/H



68713
1400987

Rightwards

