

Manufacturers part numbers are quoted for reference only

**Type**

Euro II/III

  
 Fab.no. 43C2  
 Fab.no. 43T

150 HP  
 170 HP  
 220 HP  
 270 HP


**Front pipe**

**Silencer**

**Tail pipe**

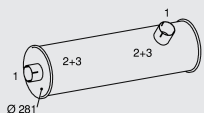
**64174**  
5010417169

Fab.no. 43C2, 43T  
 Silencer mounted  
 right hand side




**64446**  
5010317422

Fab.no. 43C2, 43T



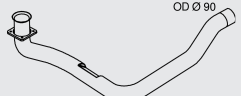
**64659**  
5010327391

All Fab.no.



**64175**  
5010417500

Silencer mounted  
 left hand side  
 Fab.no. 43C2, 43T



**64762**  
5010417683

Silencer mounted  
 right hand side  
 Fab.no. 43C2, 43T



**64763**  
5010417936

Silencer mounted  
 left hand side  
 Fab.no. 43C2, 43T



**Mounting Parts**

1.  
**99096**  
 5003083065  
 5010317400  
 5801117294




2. x2  
**64804**  
 5000750531  
 5000750497  
 5010570047




3. Fab. no. 43C2 Silencer mounted left  
 hand side with steel tank right hand side  
 Fab. no. 43T

**64824**  
 5010302690  
 5010373263



3. Fab. no. 43C2. Silencer mounted right  
 hand side with steel tank right hand side  
 Fab. no. 43T

**64850**  
 5010380581



Horizontal  
 LHD  
 Standard