

Manufacturers part numbers are quoted for reference only

**Type**

Euro II

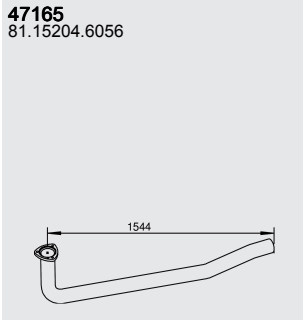


**D0826LFL**  
162 KW/220 HP  
6cyl.  
→ 10.97.

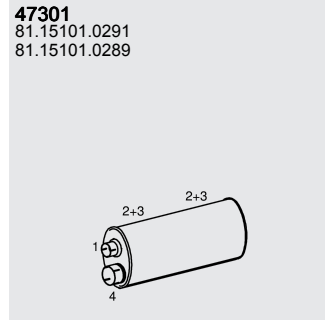
**L80**  
13/14 ton.  
01.96. →  
LA

**L90**  
18 ton.  
34.95. →  
LA

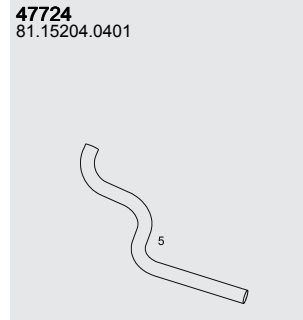
**Front pipe**



**Silencer**



**Tail pipe**



**Mounting Parts**

1.  
**99785**  
06.67041.0121  
81.97420.0023  
06.67041.0133



2.  
**49841**  
81.15502.5079  
81.15501.6023  
81.15502.5120



3.  
**49907**  
81.96210.0052



4.  
**49925**  
88.15640.0005



5.  
**99700**  
06.67041.0124  
06.67043.0124



Horizontal  
RHD  
Standard