

Manufacturers part numbers are quoted for reference only

Type

Euro I/II



D2865


6 cyl.
272 KW/370 HP
294 KW/400 HP
309 KW/420 HP

T08


22/26-28 ton.
30/94 → 01/00
FVL

Front pipe

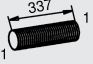
49286
81.15204.0250



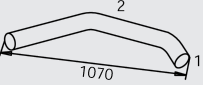
49287
81.15204.5940
81.15204.5724



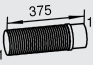
49133
81.15210.0054
→ 20/99



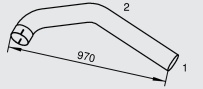
49144
81.15204.0277
→ 20/99



47183
81.15210.0084
21/99 →

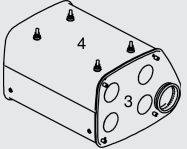


48109
81.15204.0418
21/99 →




Silencer

49366
81.15101.0318
81.15101.0316
81.15101.0285




Tail pipe

49695
81.15204.0252




Mounting Parts

1.
99714
81.97420.0085
88.15640.2203
81.97420.0152



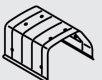
2.
99710
88.15640.0000
81.97420.0073




3.
49843
81.15110.0299



4.
49844
81.15110.0297
81.15110.0357



5.
49821
81.97460.6021



Horizontal
LHD
Standard