

Manufacturers part numbers are quoted for reference only

Type

Euro II/III

 D0826 LF
 6 cyl.
 162 KW/220 HP
 191 KW/260 HP

12-14 ton.
M31
 24/95 → 34/01
 M
M32
 28/95 → 31/05
 ML
M33
 04/96 → 31/05
 MLL
M34
 34/95 → 31/05
 MA

18 ton.
M38
 10/95 → 31/05
 M
M39
 16/95 → 31/05
 ML
M40
 34/95 → 31/05
 MLL
M41
 01/96 → 31/05
 MA

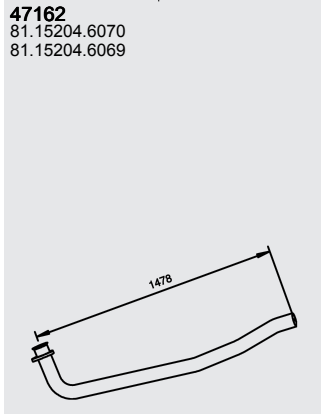
23/25 ton.
M42
 22/95 → 31/05
 MNL

25 ton.
M43
 01/96 → 01/02
 MNLL

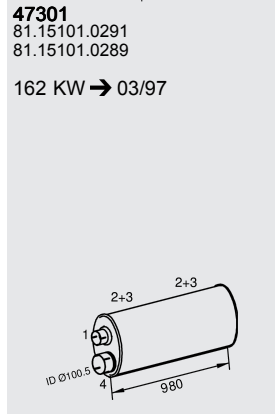
25/26 ton.
M44
 04/96 → 09/04
 MVL

Horizontal
 LHD
 Standard

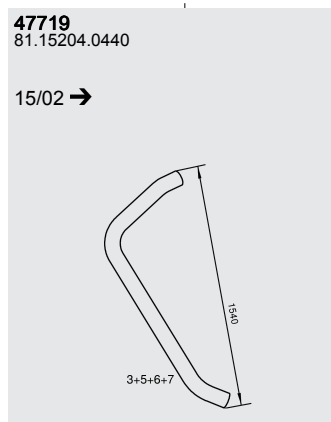
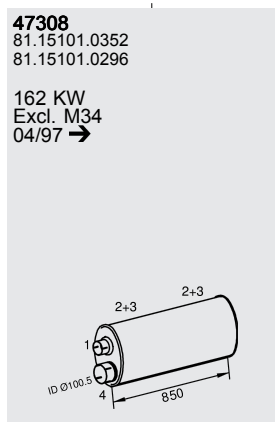
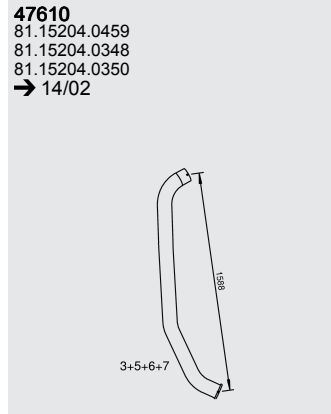
Front pipe



Silencer



Tail pipe



Mounting Parts

