

Manufacturers part numbers are quoted for reference only

Type

Euro II/III

☞ D0836 LF
6 cyl.
206 KW/280 HP

M31
12/13/14 ton.
24/95 → 34/01
M

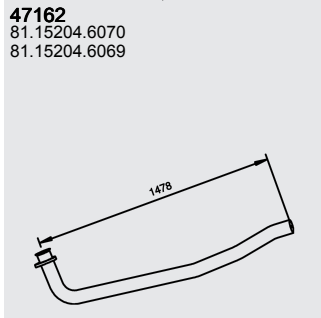
M32
12/13/14 ton.
28/95 → 31/05
ML

M38
18 ton.
10/95 → 31/05
M

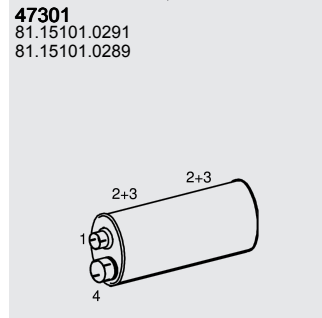
M39
18 ton.
16/95 → 31/05
ML

M42
23/25 ton.
22/95 → 31/05
MNL

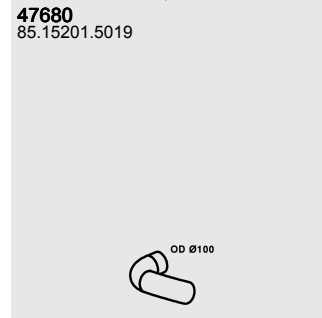
Front pipe



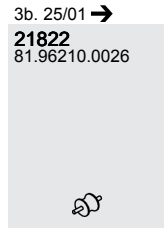
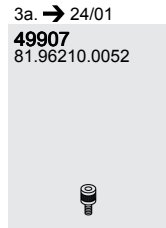
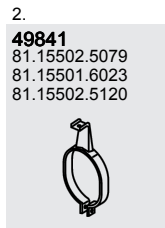
Silencer



Tail pipe



Mounting Parts



Horizontal
LHD/RHD
Standard