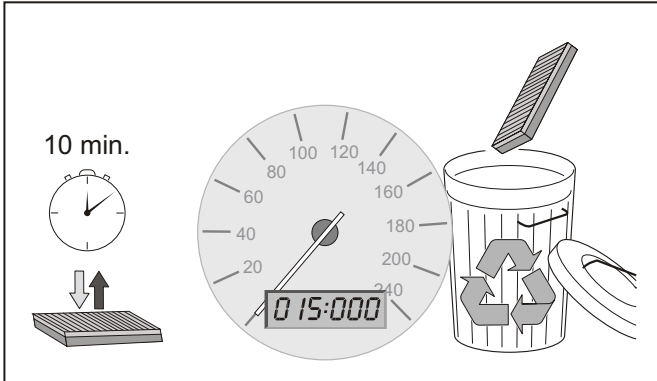
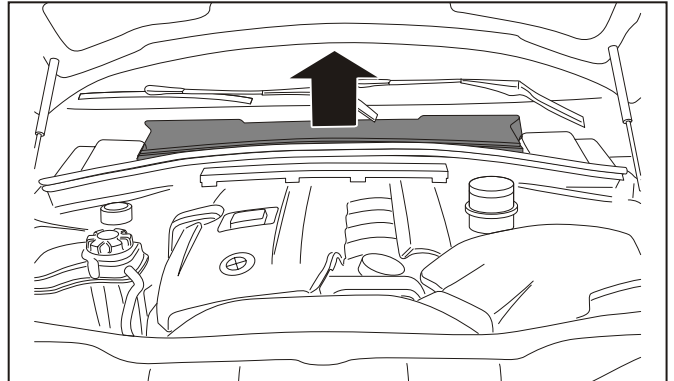


# BMW 1 Series

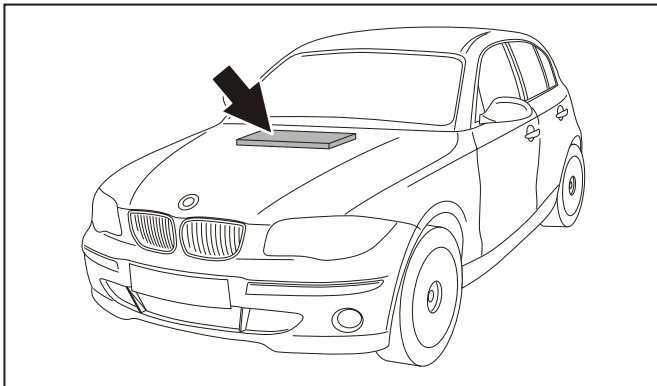
1



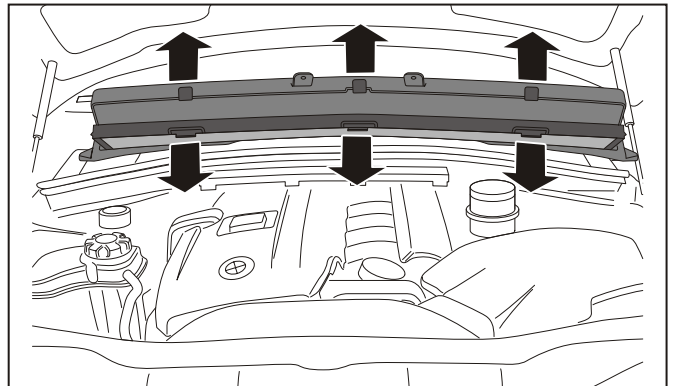
4



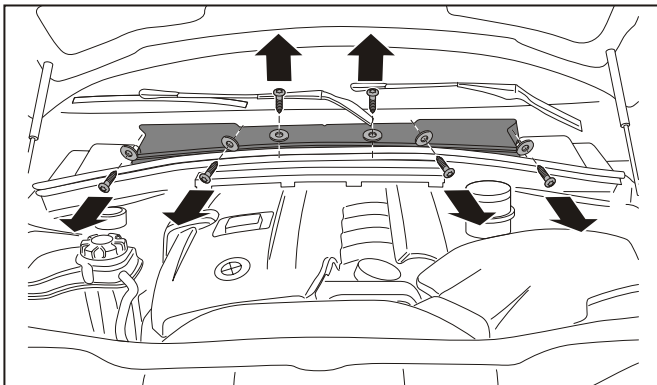
2



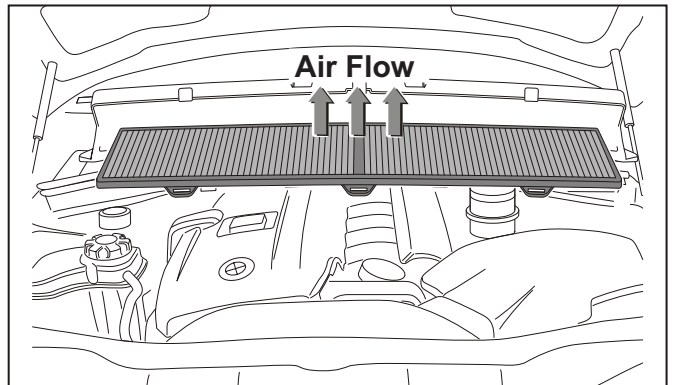
5



3

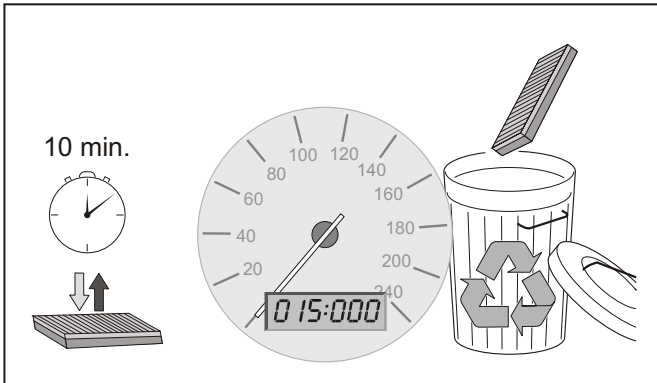


6

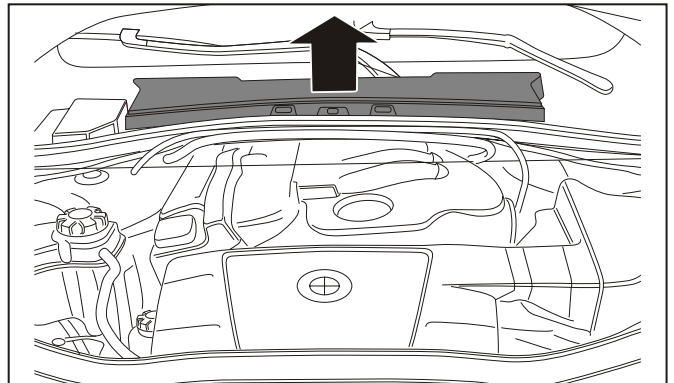


# BMW 3 Series

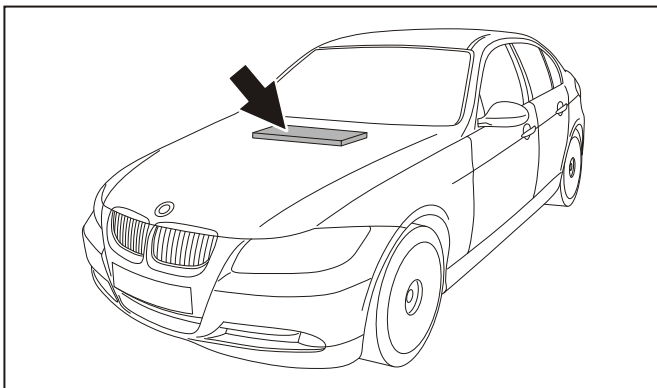
①



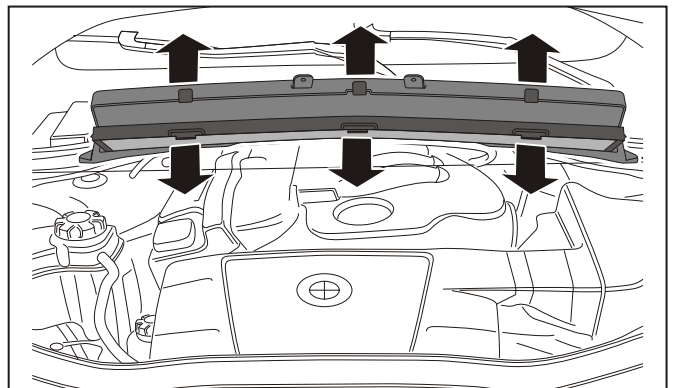
④



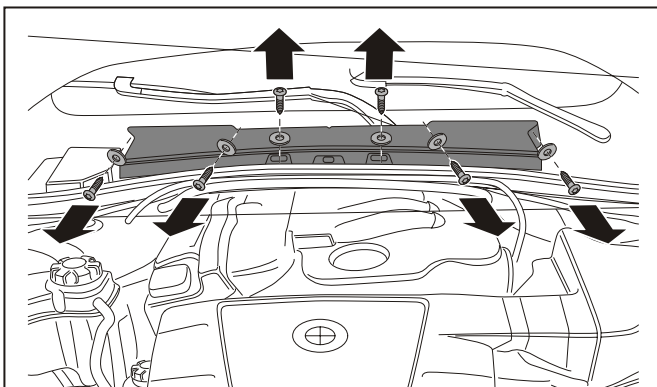
②



⑤



③



⑥

