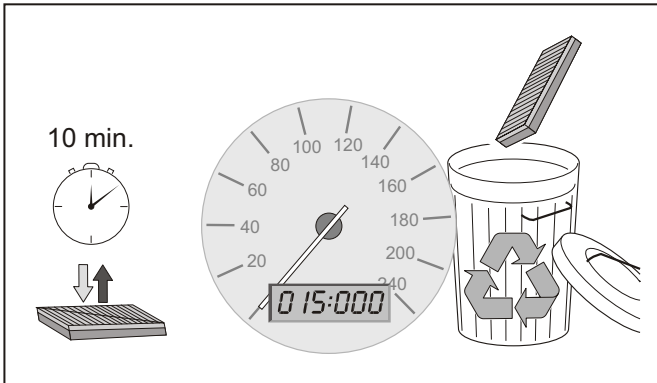
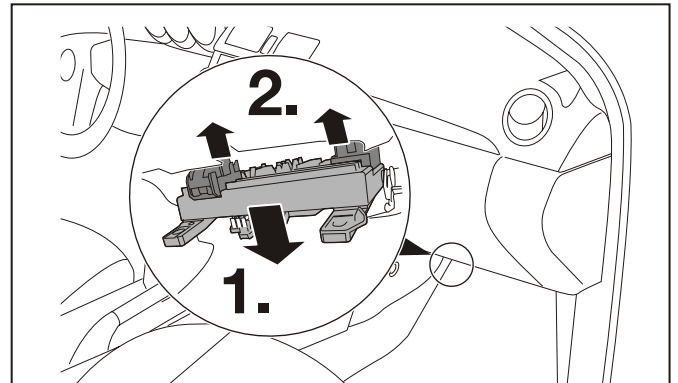


Mazda 3

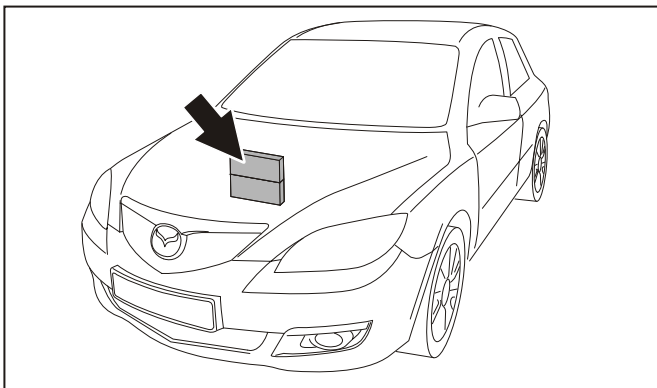
①



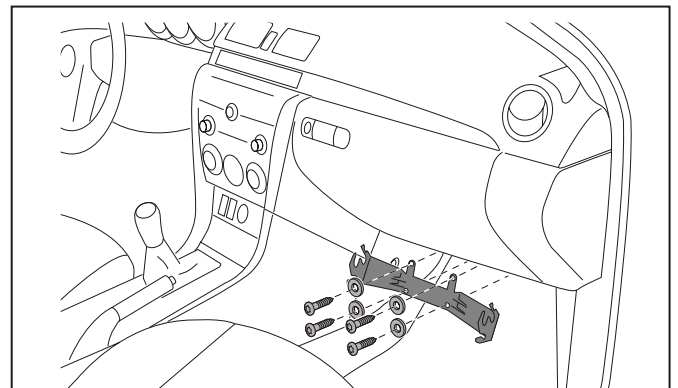
⑤



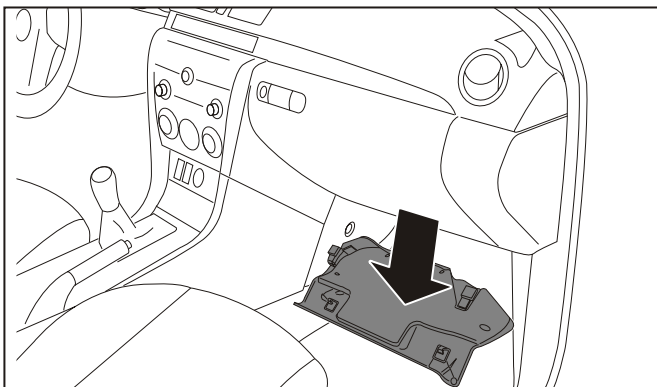
②



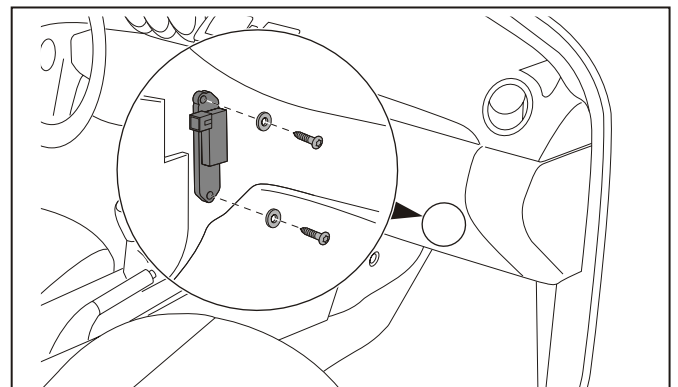
⑥



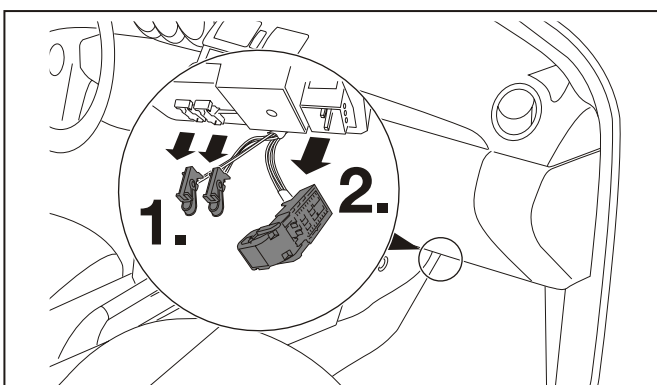
③



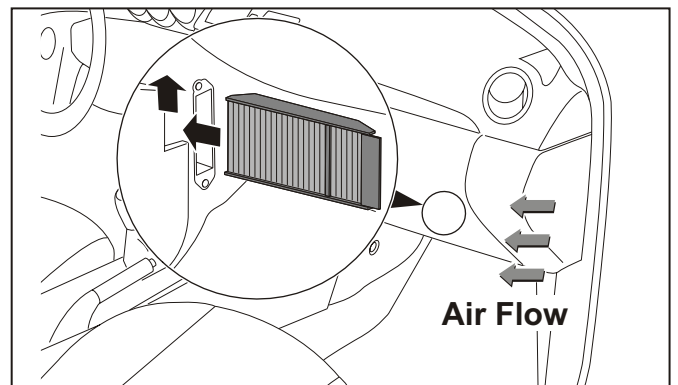
⑦



④

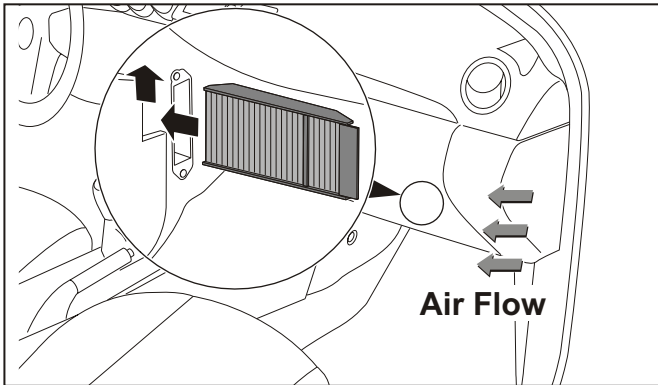


⑧



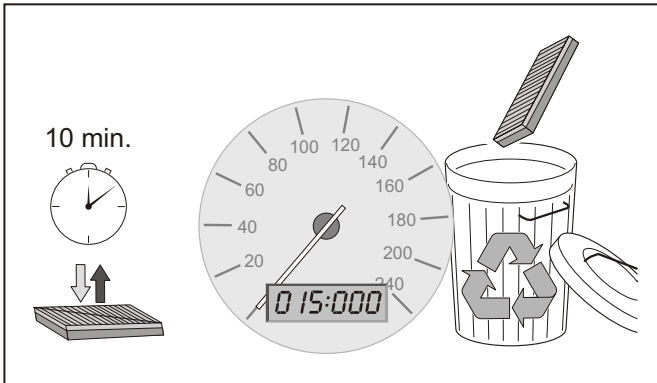
Mazda 3

9

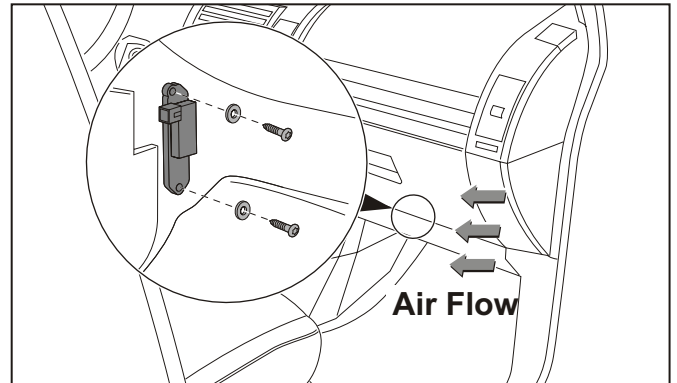


Mazda 5

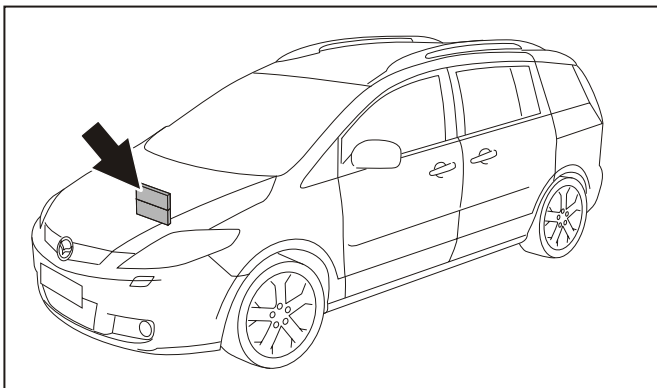
①



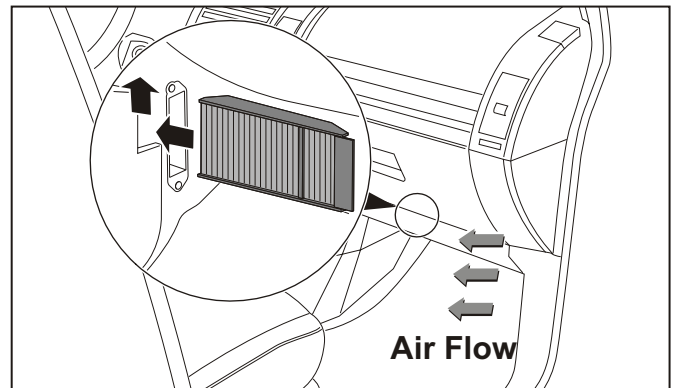
④



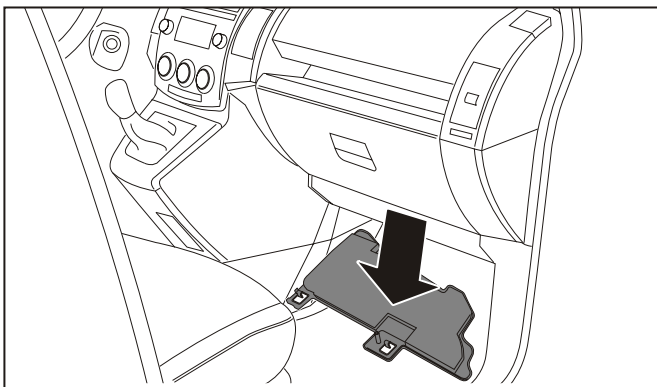
②



⑤



③



⑥

