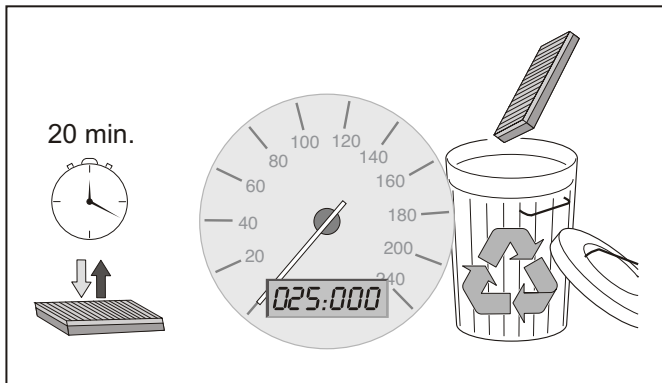
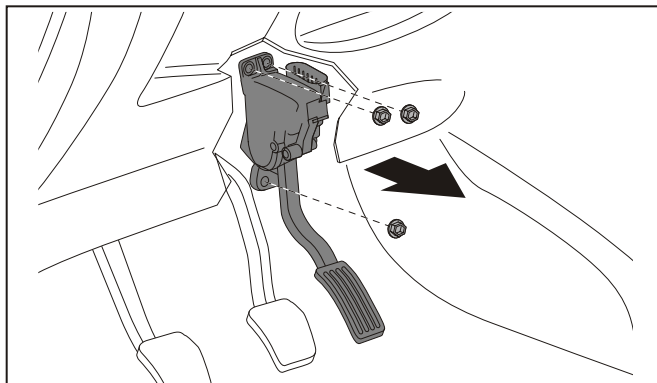


# Ford Focus II

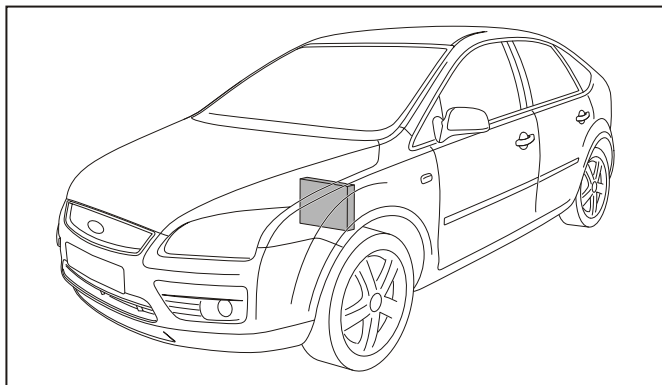
①



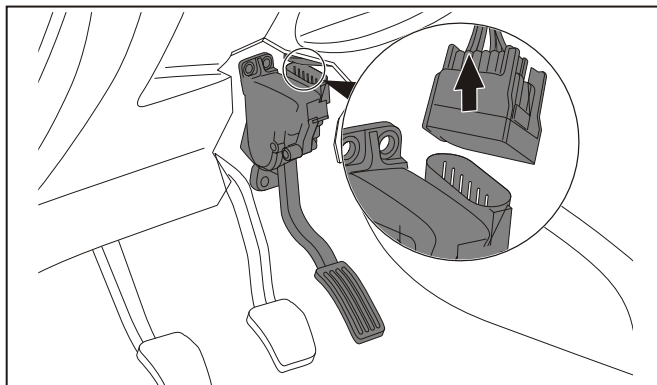
⑤



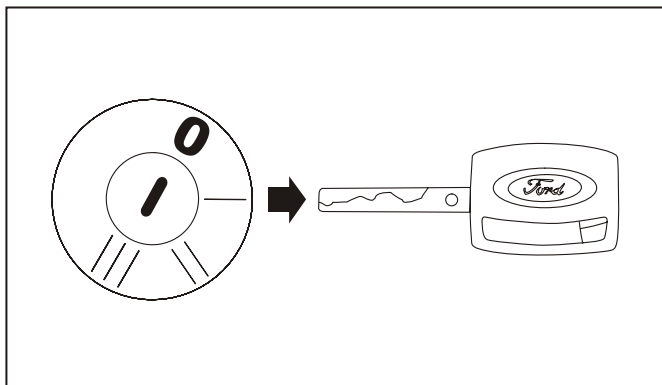
②



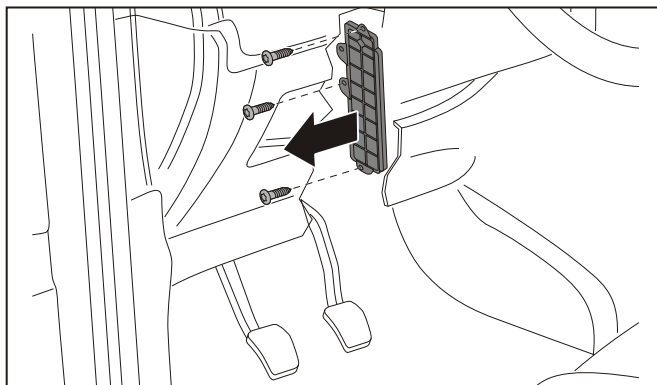
⑥



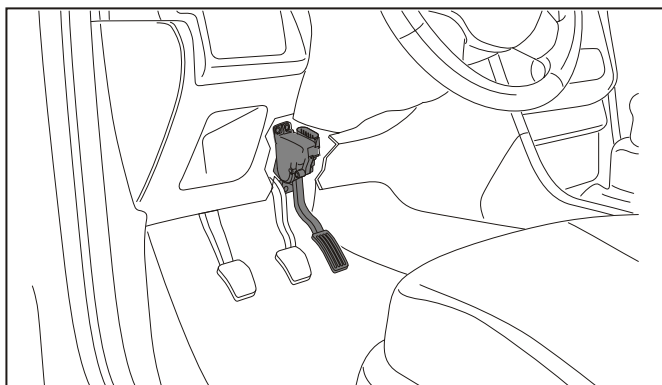
③



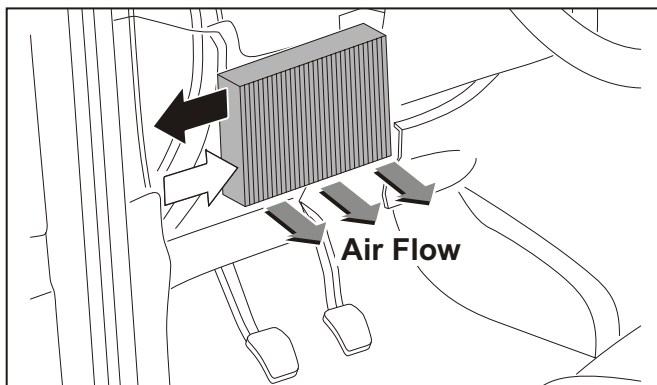
⑦



④

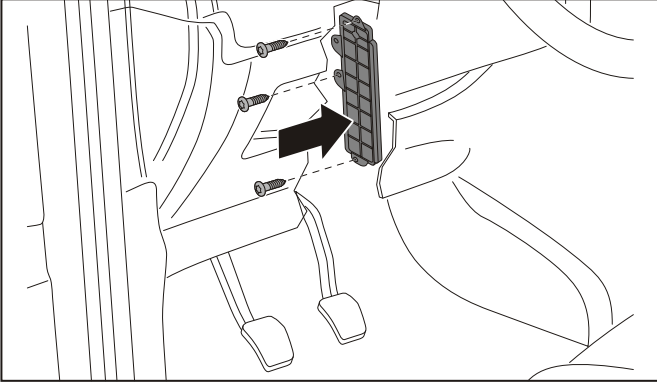


⑧

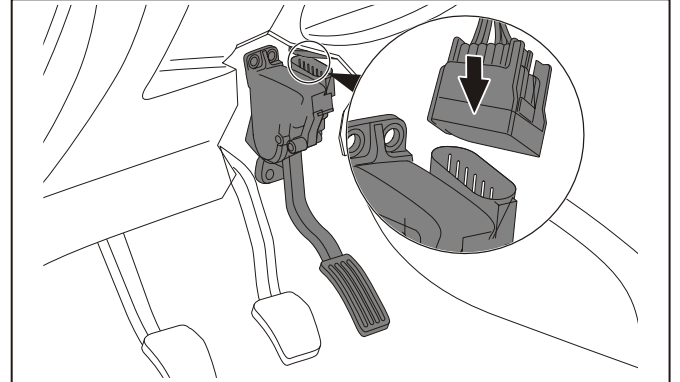


## Ford Focus II

9

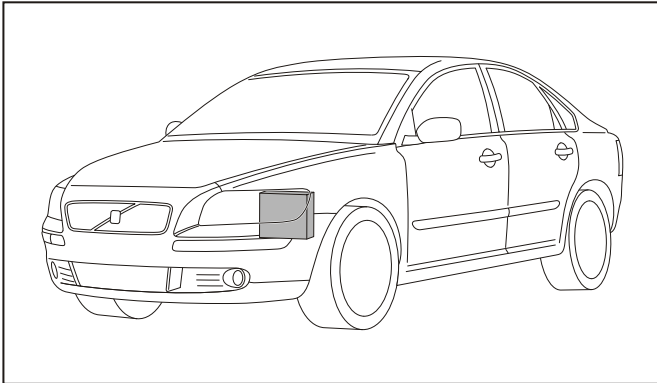


10

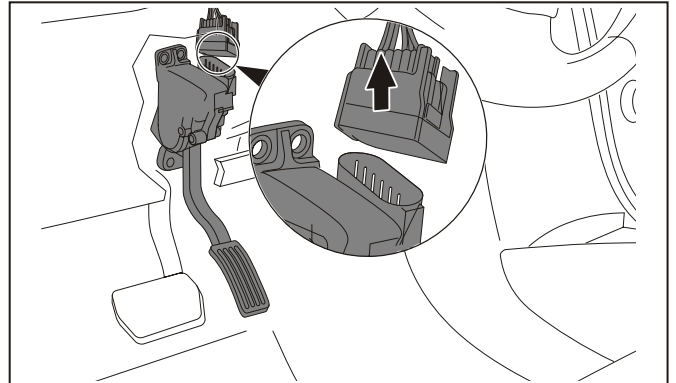


# Volvo S40 II, V50

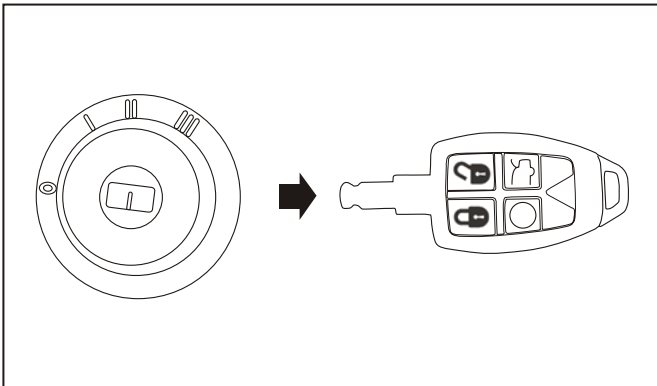
①



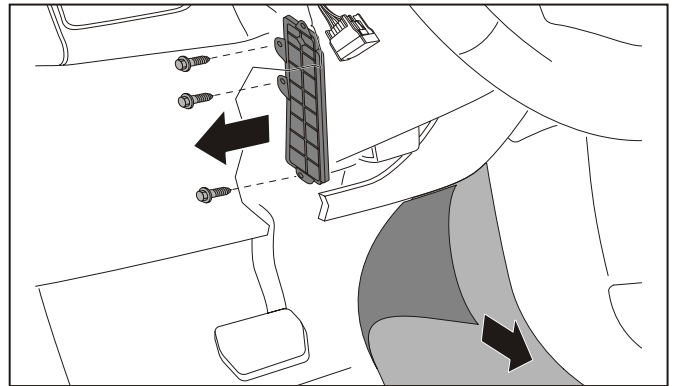
⑤



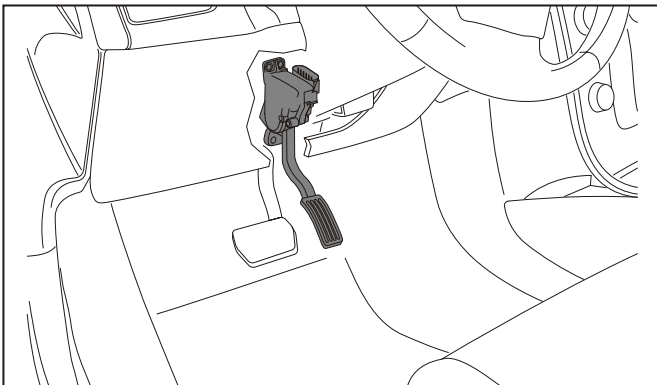
②



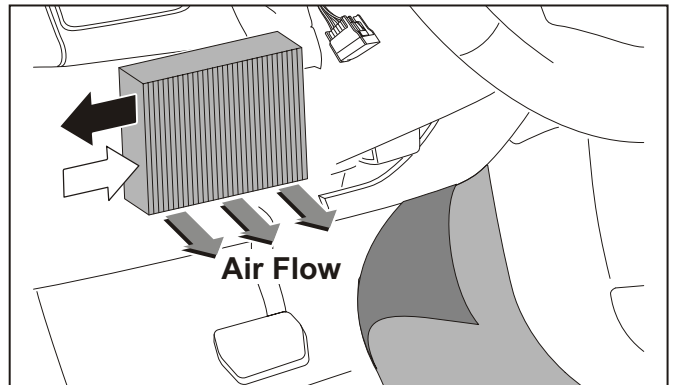
⑥



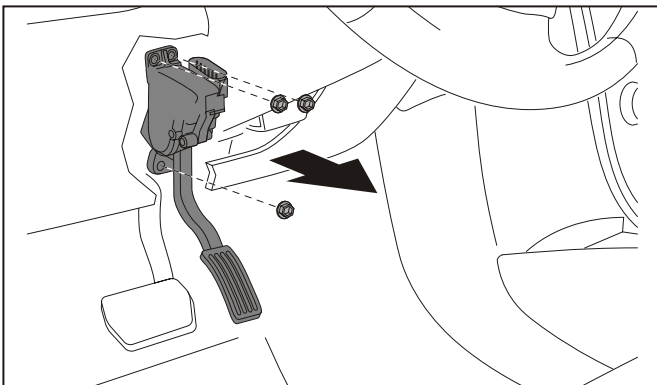
③



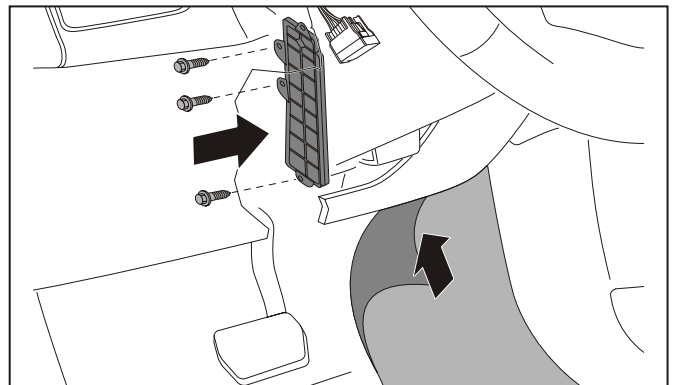
⑦



④



⑧



## Volvo S40 II, V50

9

