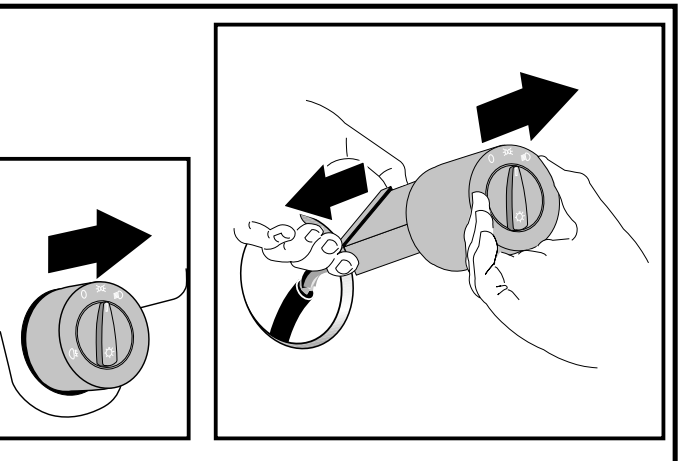
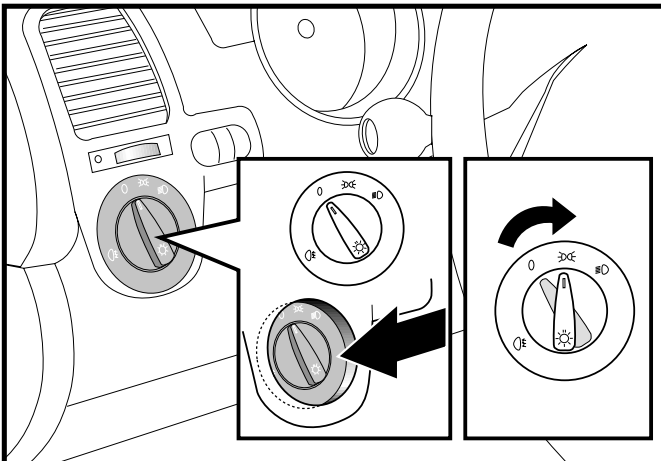
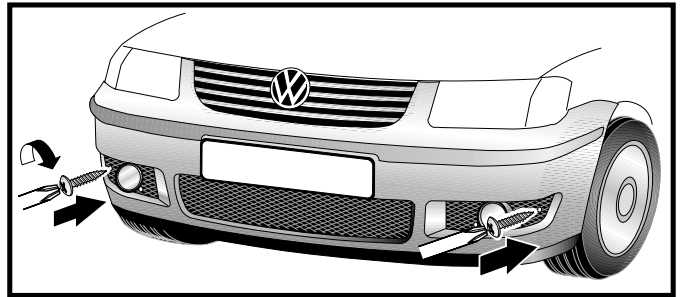
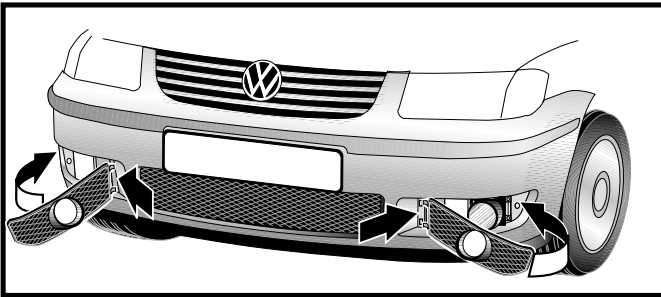
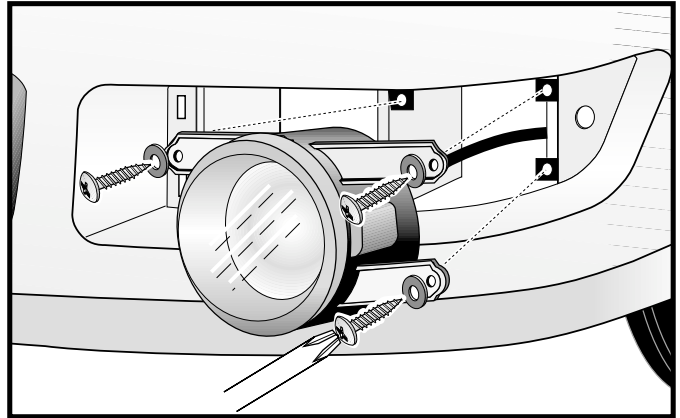
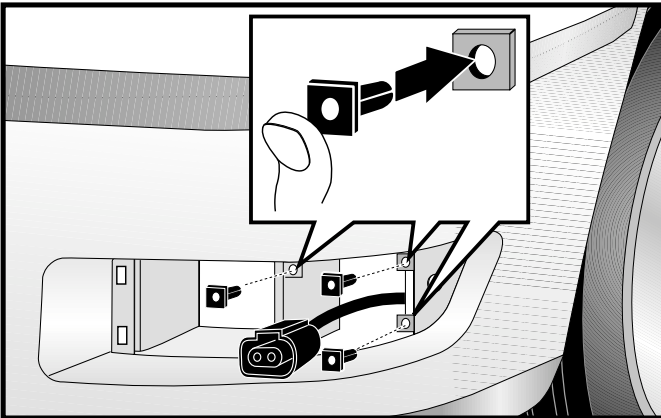
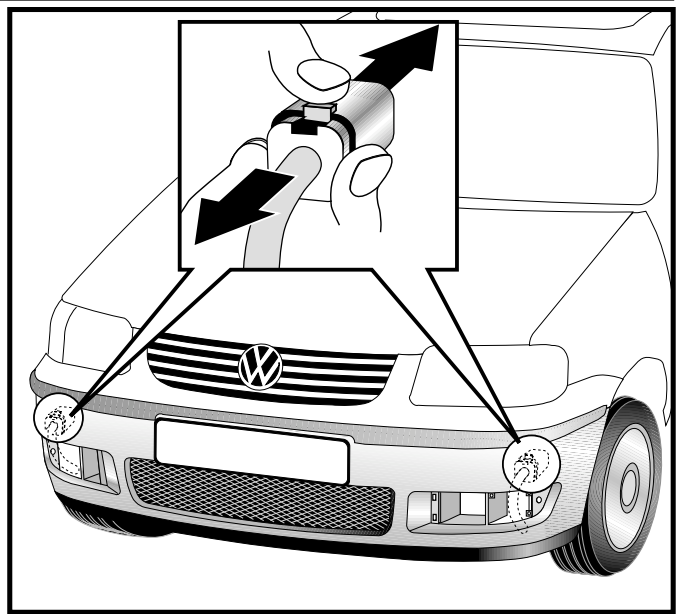
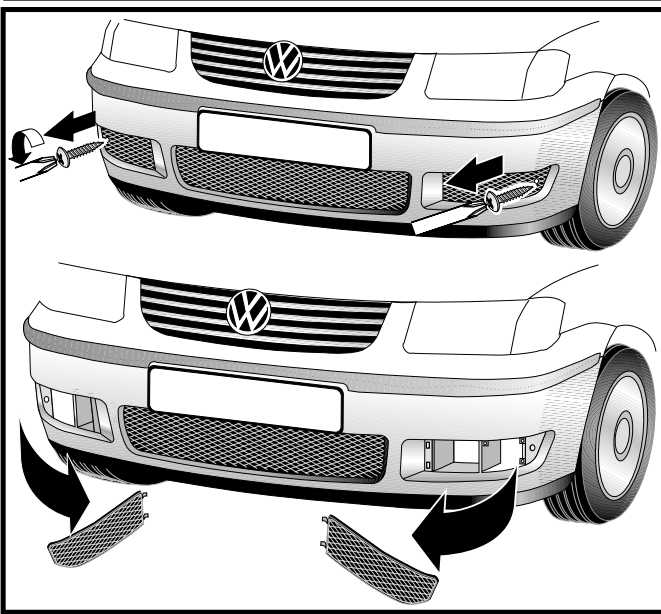


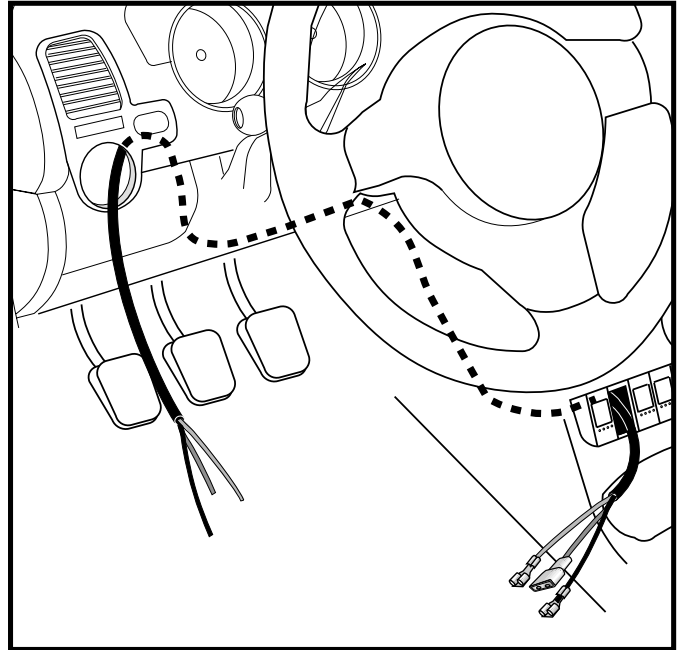
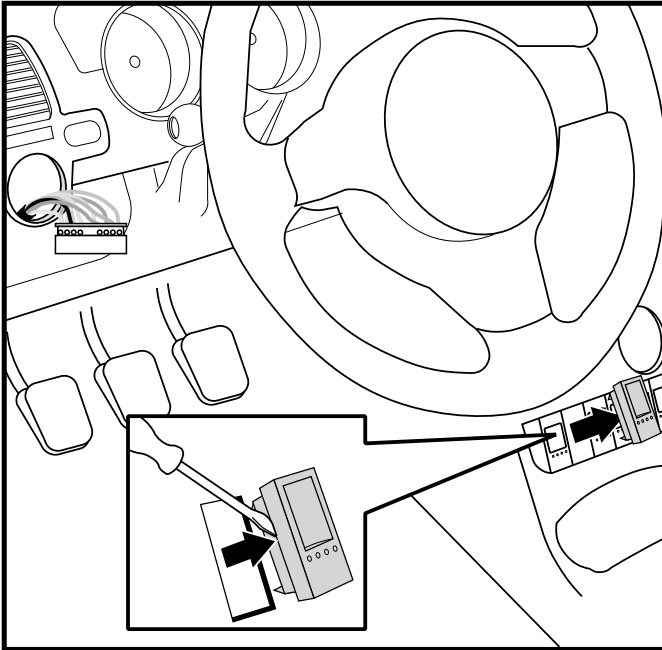


VW POLO
11/99 →

Montageanleitung · Mounting instructions
Instructions de montage · Monteringsanvisning
Montagehandleiding · Instrucciones de montaje
Istruzioni di montaggio · Asennusohjeet

460 831-02/03/01



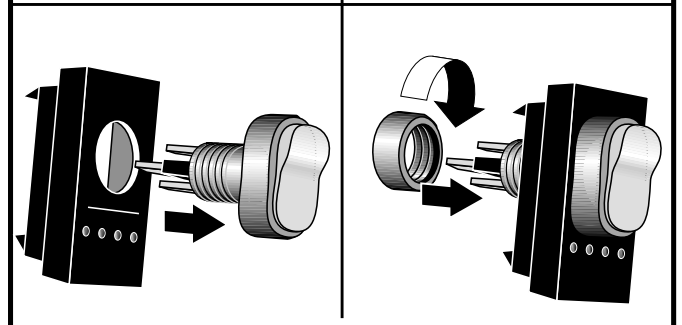
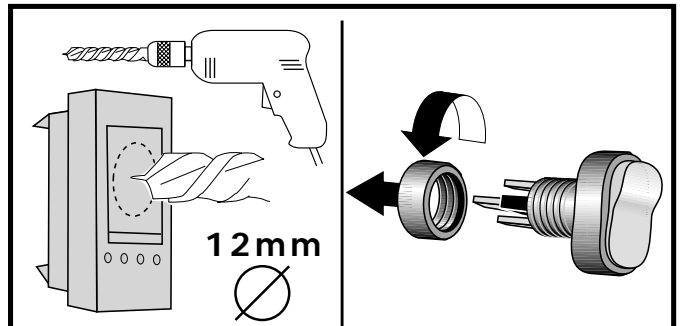


⑩ braun - braun
 brown - brown
 marron - marron
 brun - brun
 bruin - bruin
 marrón - marrón
 marrone - marrone
 ruskea - ruskea

1	2	3	4	5	6	7	8
---	---	---	---	---	---	---	---

② grau-weiß - blau
 grey-white - blue
 gris-blanc - bleu
 grå-vit - blå
 grijs-wit - blauw
 gris-blanco - azul
 grigio-bianco - blu
 harmaa-valkoinen - sininen

⑧ gelb-weiß - rot
 yellow-white - red
 jaune-blanc - rouge
 gul-vit - rødt
 geel-wit - rood
 amarillo-blanco - rojo
 giallo-bianco - rosso
 keltainen-valkoinen - punainen



② rot - root
 red - rojo
 rouge - rosso
 rød - punainen

⑧ blau - blauw
 blue - azul
 bleu - blu
 blå - sininen

⑩ braun - bruin
 brown - marrón
 marron - marrone
 brun - ruskea

