

Blue Print Bulletin

ADC48226 Front Wheel Bearing

Date Issued: 17/05/2007

Subject – Application Guide

Vehicle - Mitsubishi Shogun & Pajero models 2000>

We have encountered several cases of reported "Hub bearing failures" on some Mitsubishi Shogun / Pajero models, Model Year 2000>.

The fitting instructions supplied with the Hub assembly must be followed to ensure correct installation of the Hub assembly. Following the fitting instructions will limit the possibility of any future warranty failures.

Fitment Procedure

1. Fit the washer on the Hub assembly, with the washer's chamfered face **towards** the castle nut.

See Image (on right).

2. Tighten the castle nut to $200 \pm 10 \text{Nm}$.

Please Note:

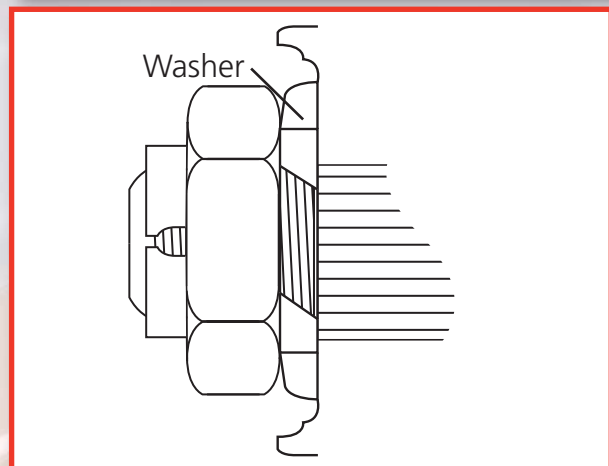
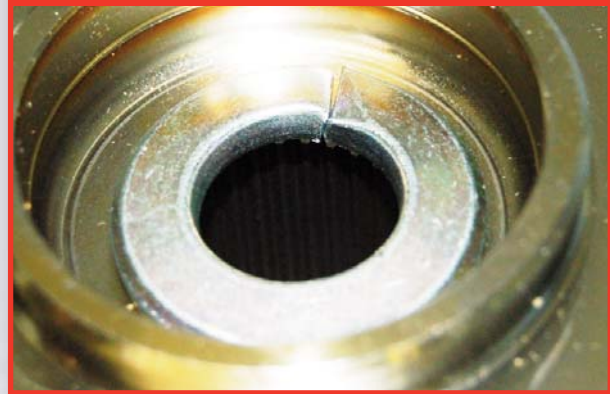
When fitting the Hub assembly, care must be taken NOT to allow the vehicle weight to be placed onto the Hub assembly before tightening the castle nut. Doing so will result in the bearing being damaged.

ADC48226 Mitsubishi Model Applications:

- Shogun V64, V68, V78, V65, V75.
- Pajero V68, V78, V65, V75.



Correct position of washer



Disclaimer : Any technical tips are produced in good faith. Automotive Distributors Ltd. always recommend that vehicle maintenance and diagnostics are only carried out by suitably experienced people using appropriate tools in a safe manner within a workshop environment. Automotive Distributors Ltd. and their customers cannot be held responsible for the correctness of, or misinterpretation of the above technical tips. Images shown are for illustrative purposes only and may not be representative of the products or vehicles described.

Technical Helpline: +44 (0)1622 833004 Fax: +44(0)1622 834004

