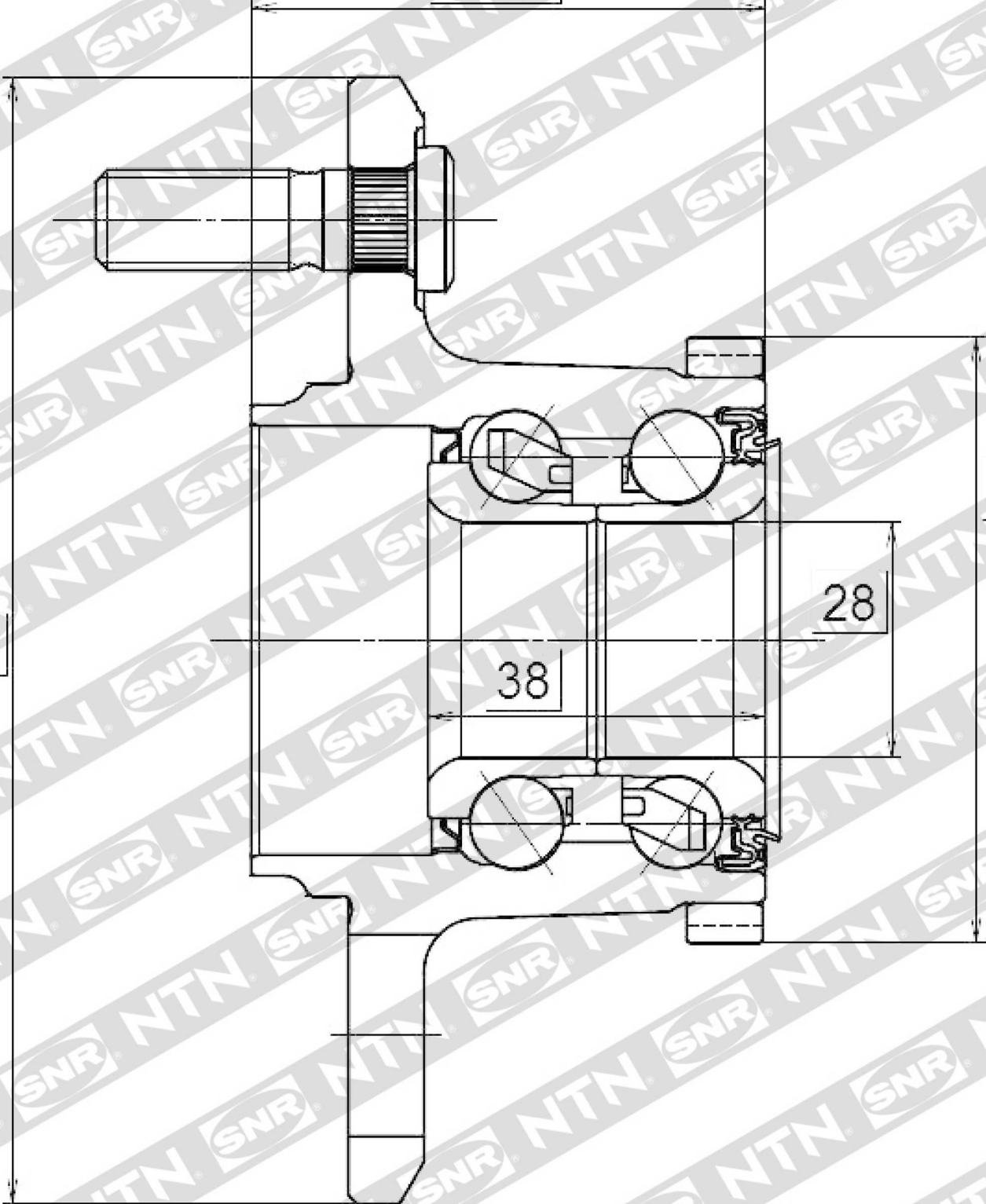


139

64.5



79.9

28

38

R18403