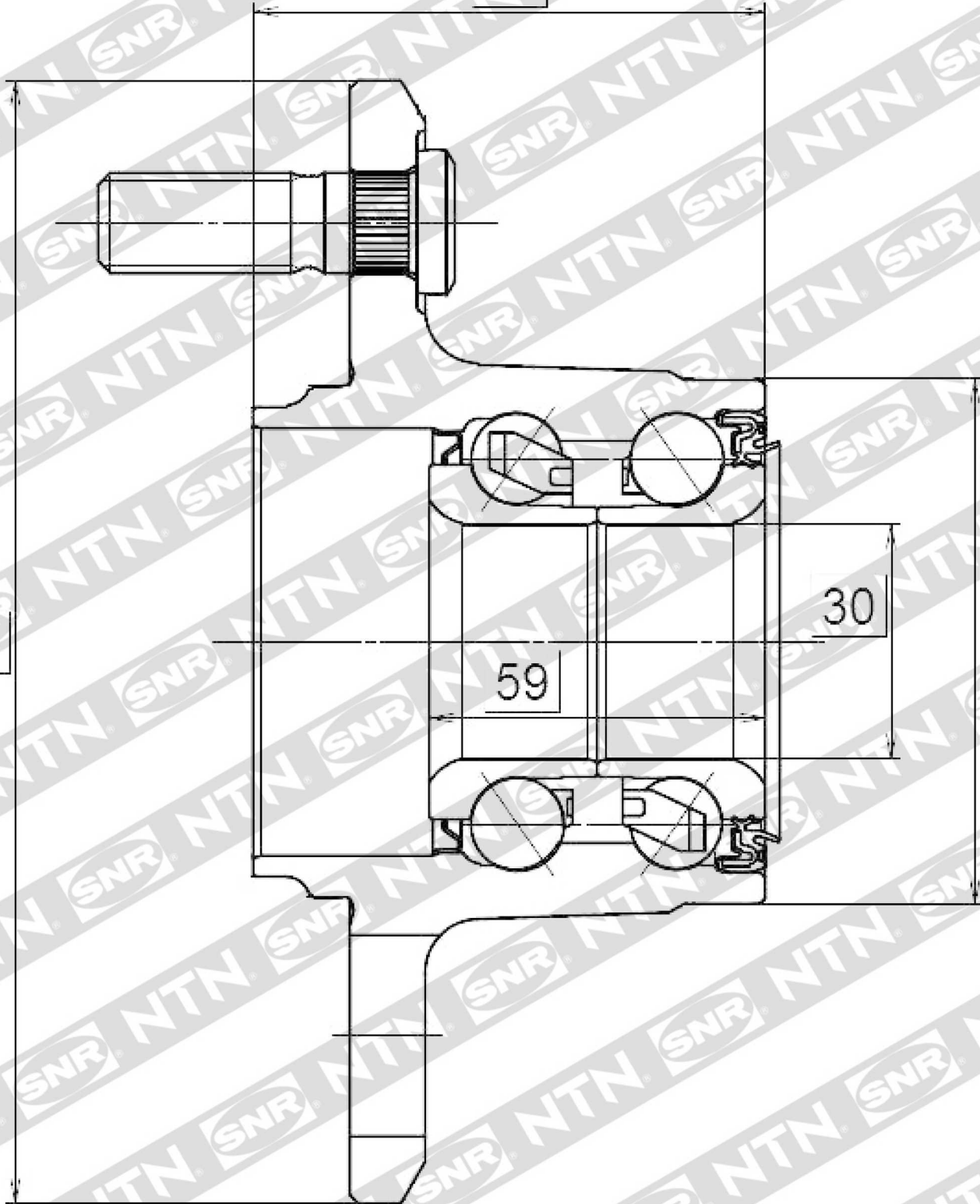


79



126

59

30

63

R18113