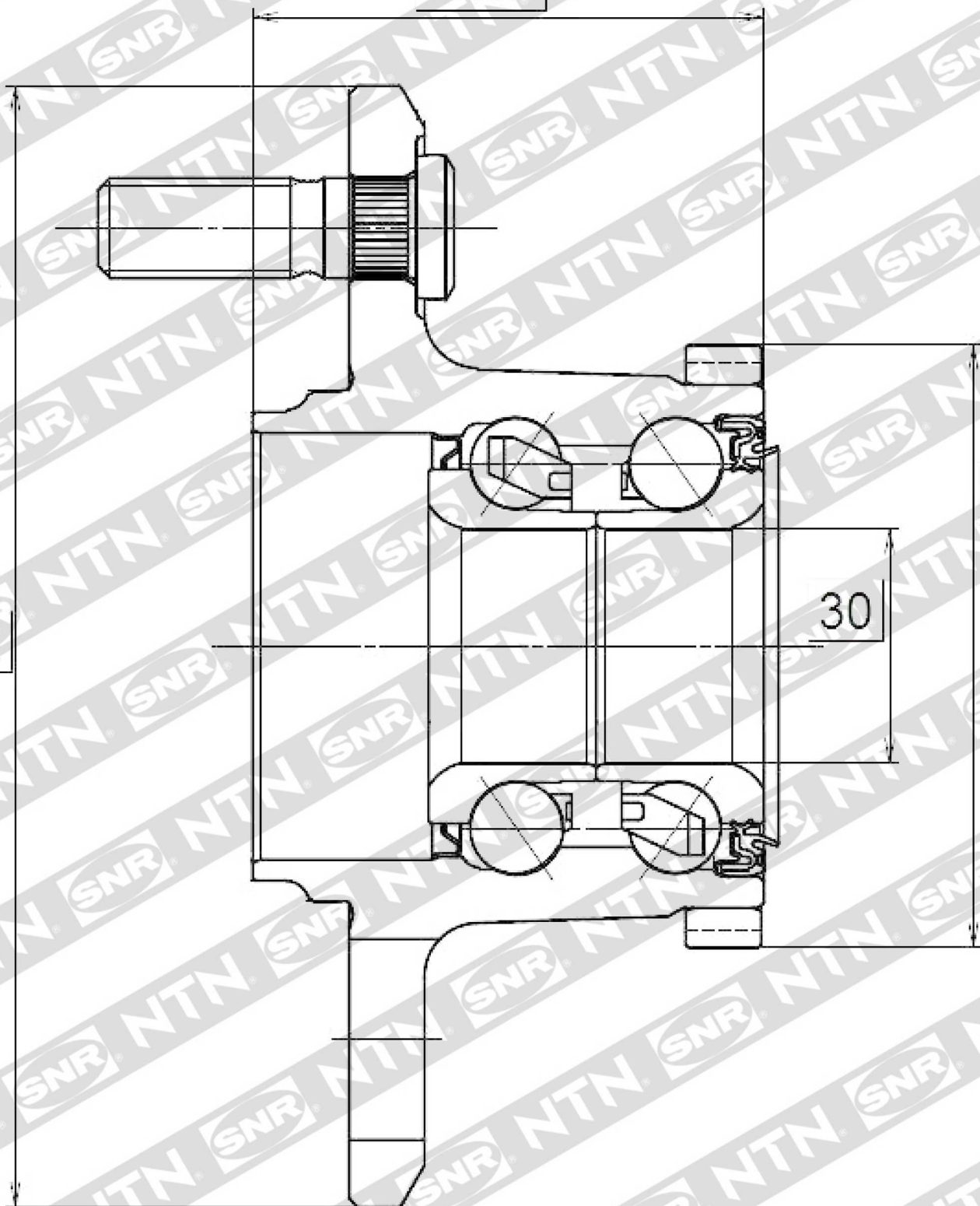


68.5



152

77

30

R17476