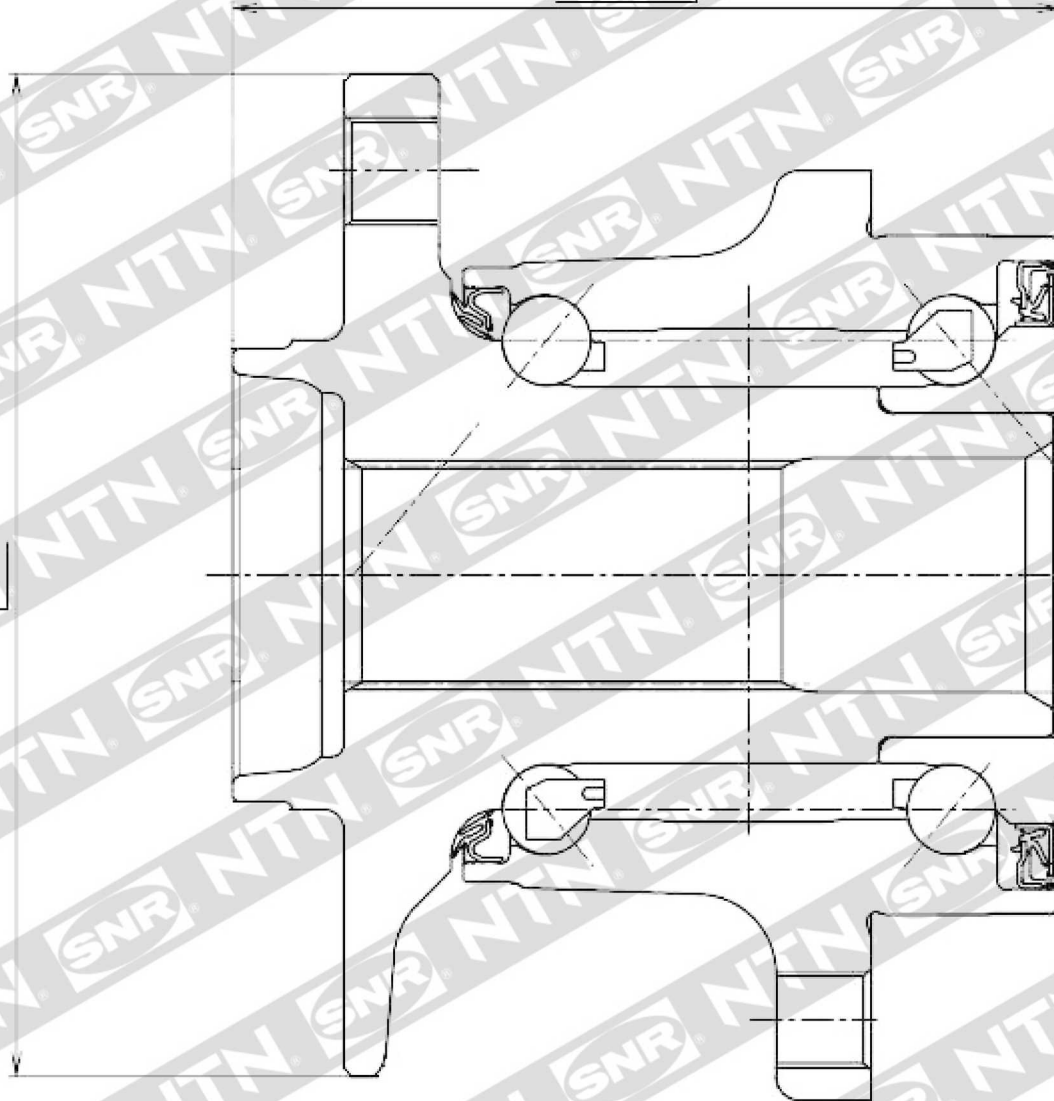


116.9

69.6

24



R15829