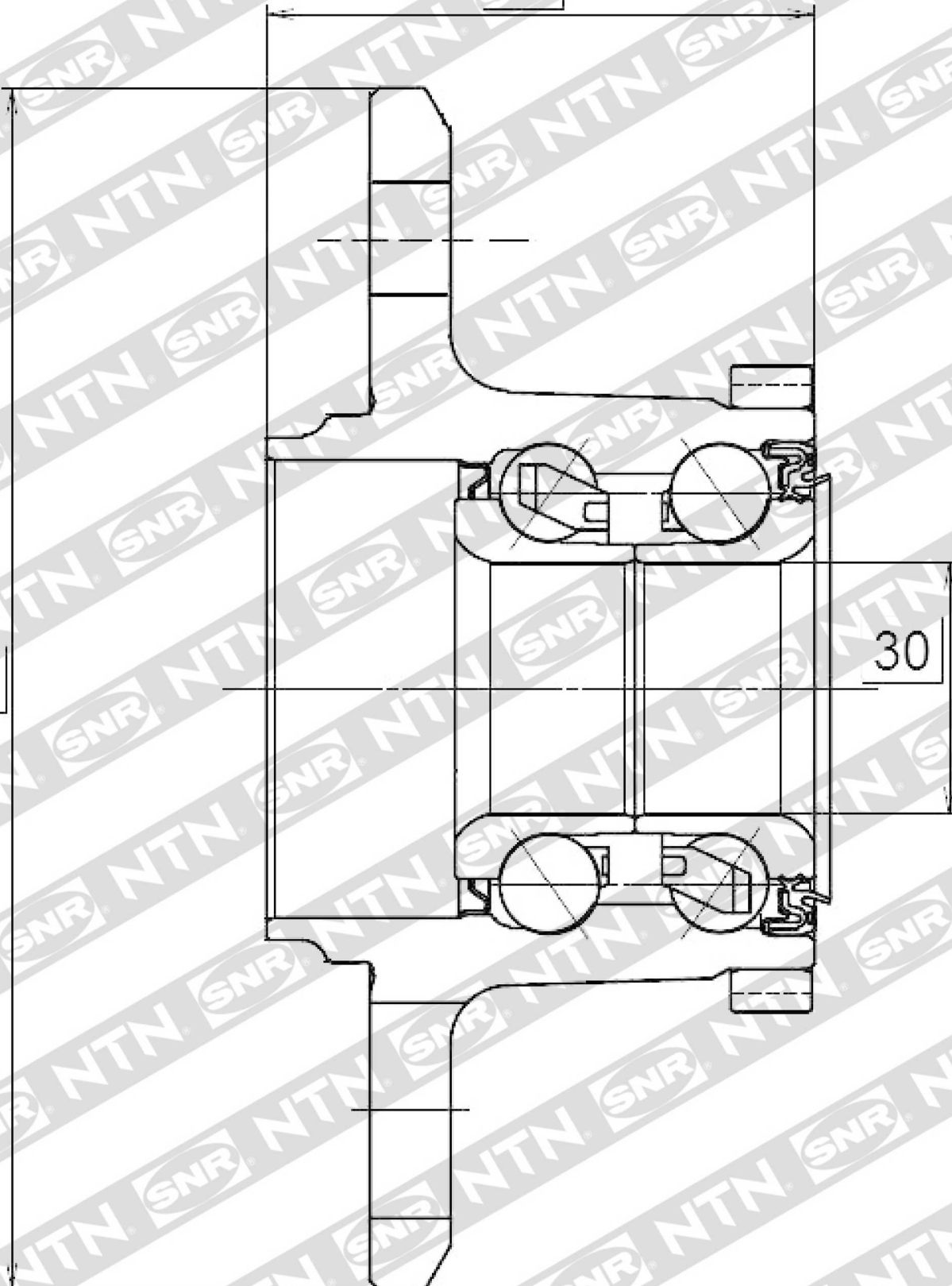


61



116.5

30

R15821