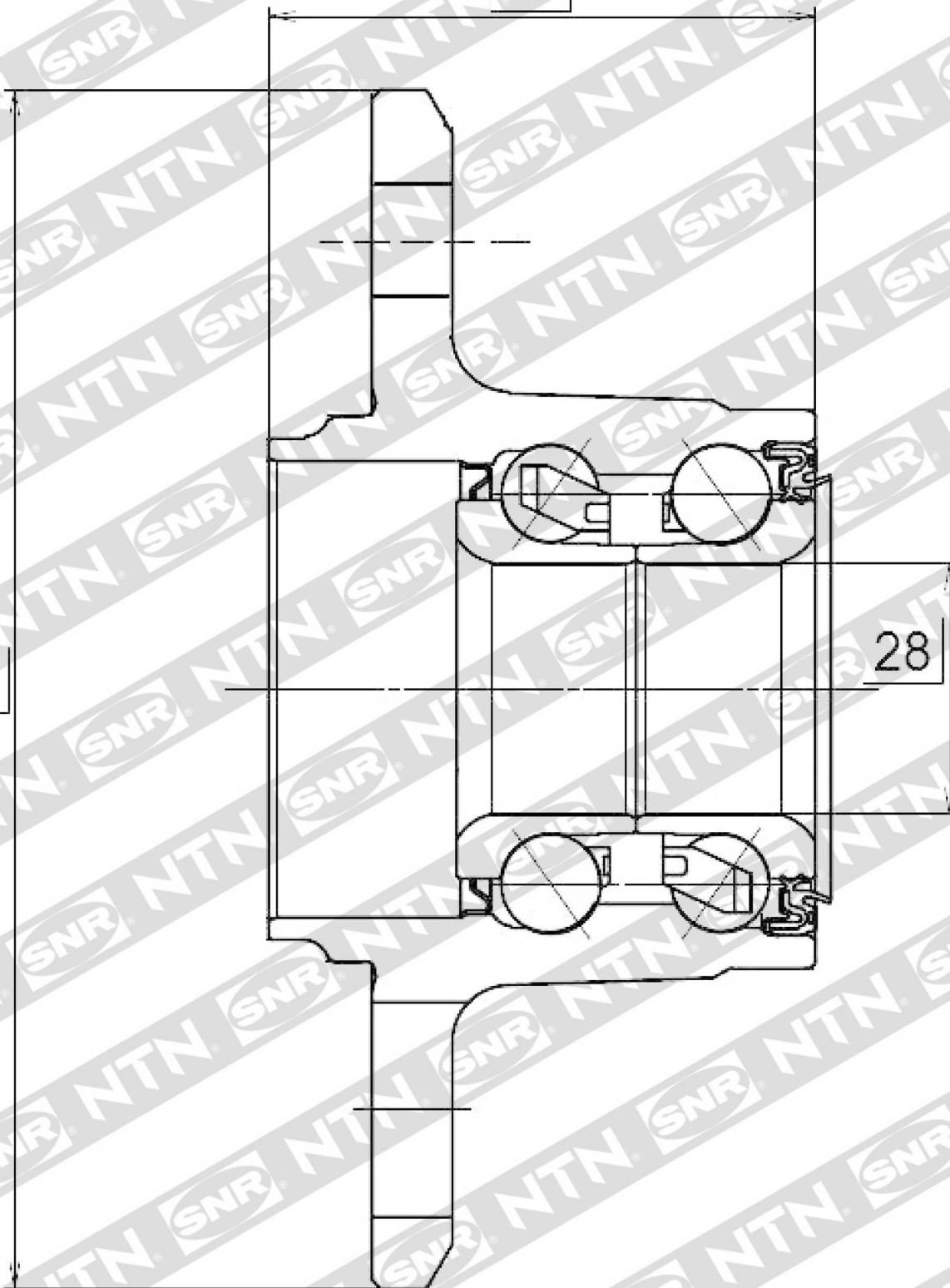


63



R15731