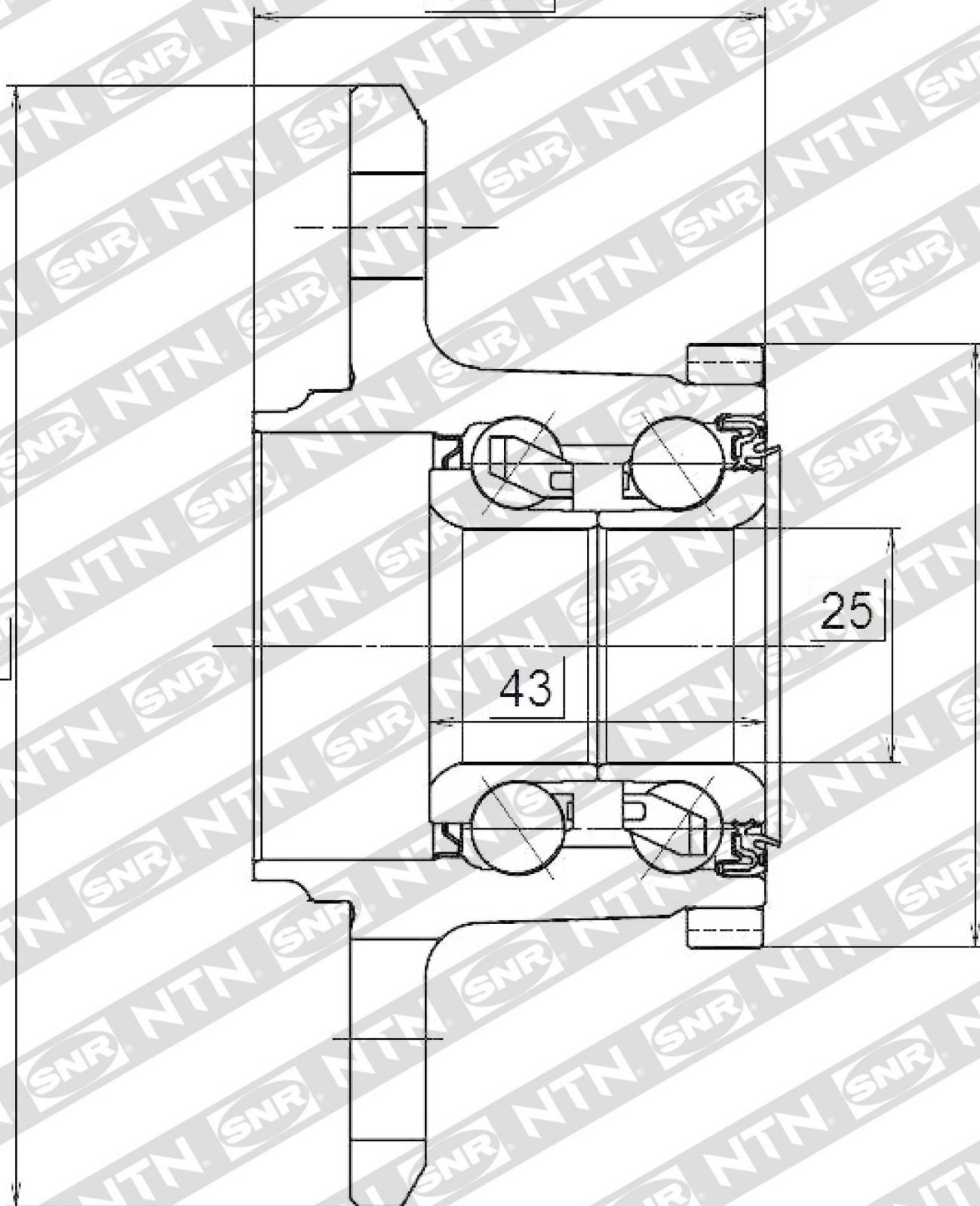


73.4



123

25

133

43

R15541