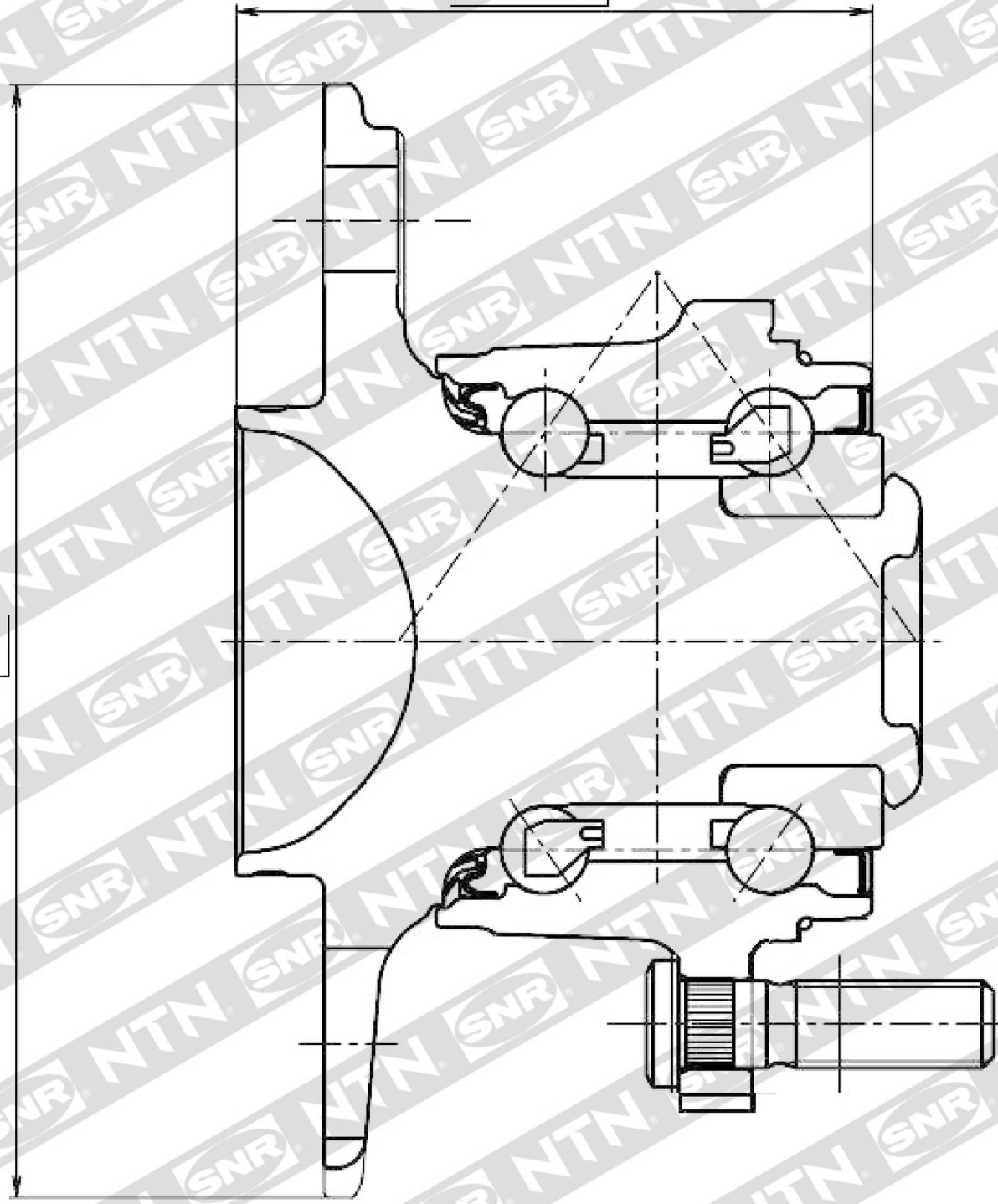


87.45

157



R15358