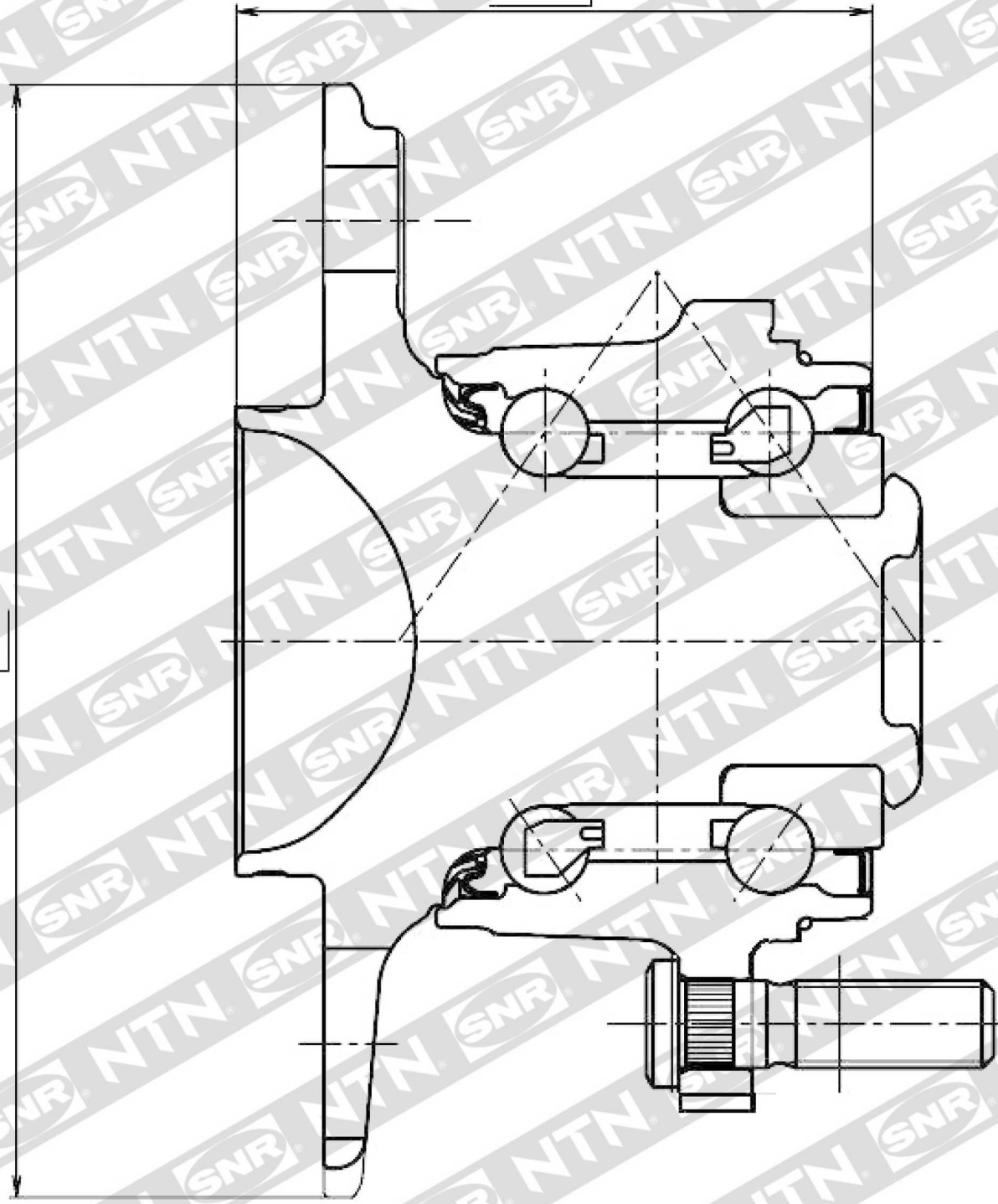


112

136



R15350