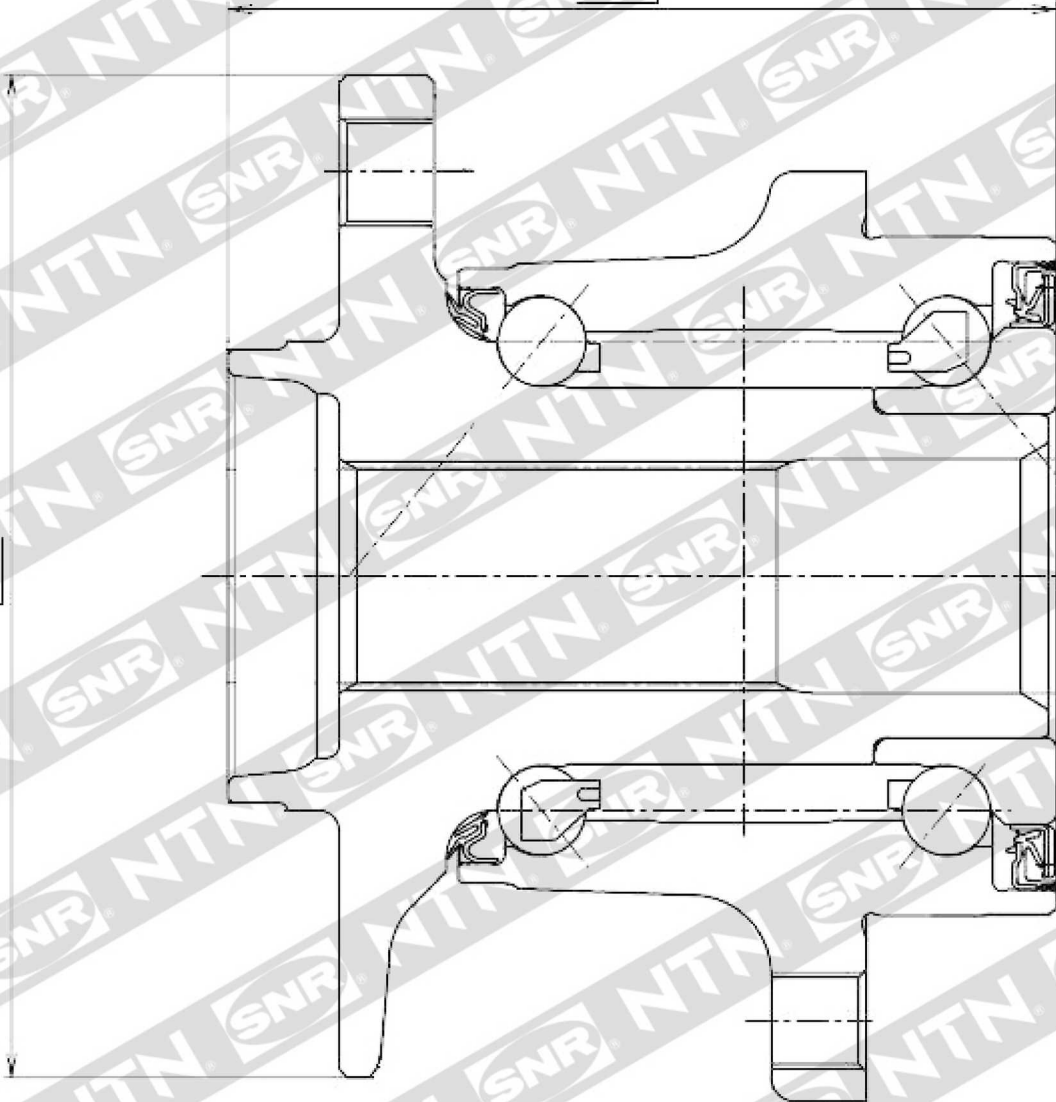


83

138.5



R15037