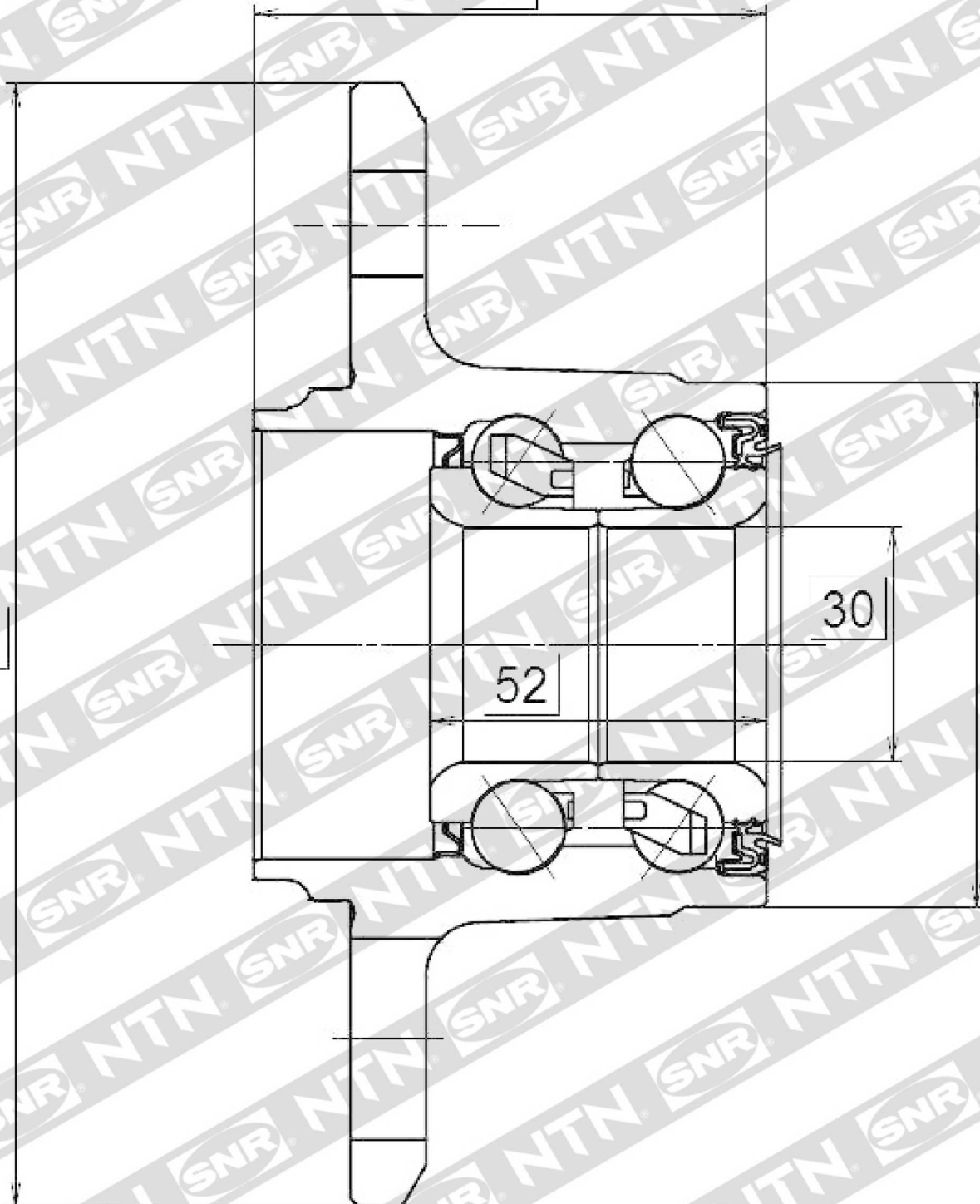


70



120

76.5

30

52

R14125