

# en Pump module

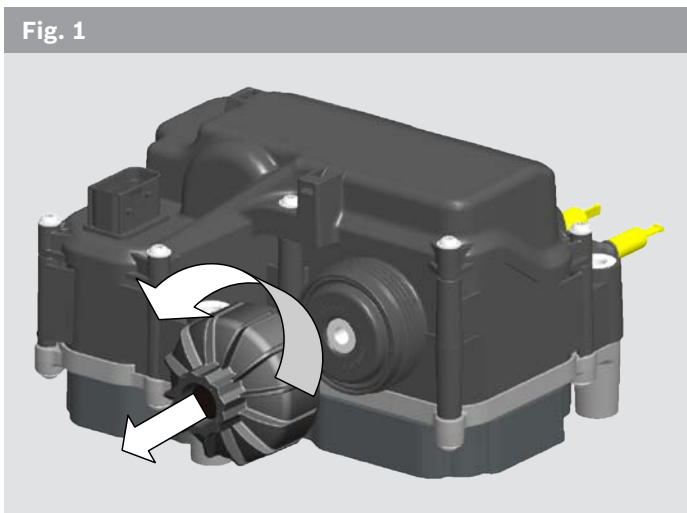
DENOXTRONIC 2.2



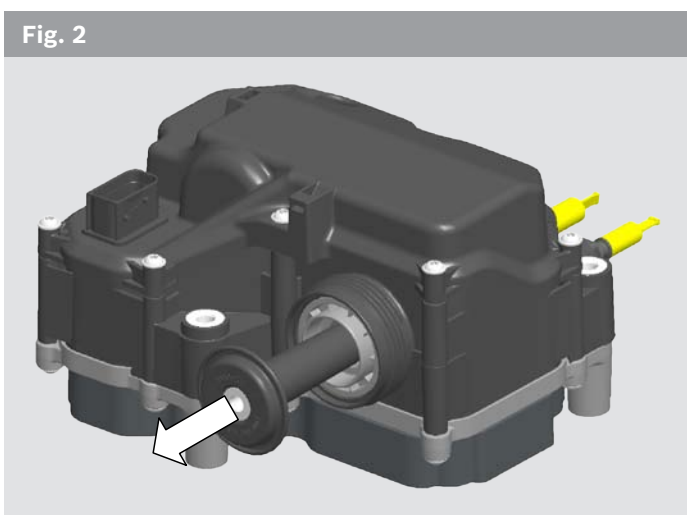
**BOSCH**

## Service instruction for urea filter 1 457 436 033

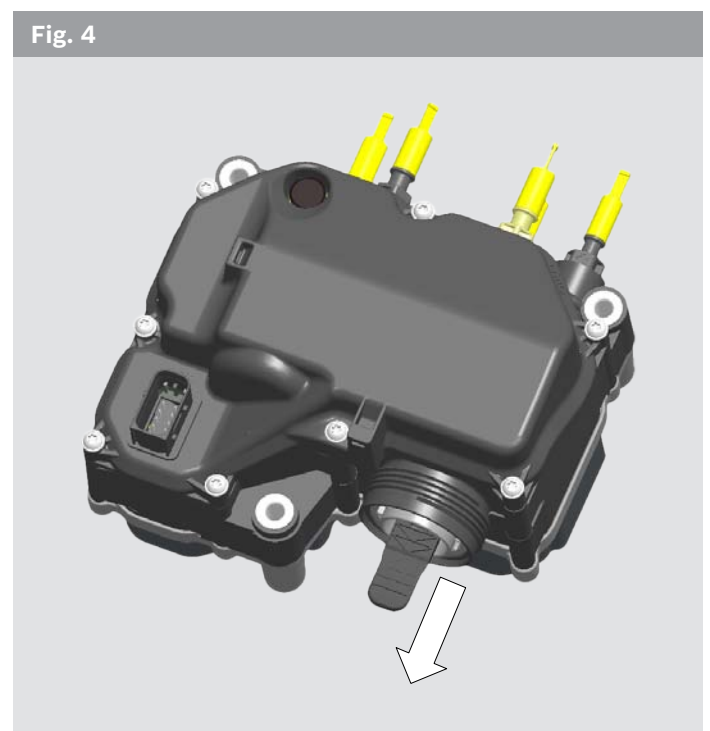
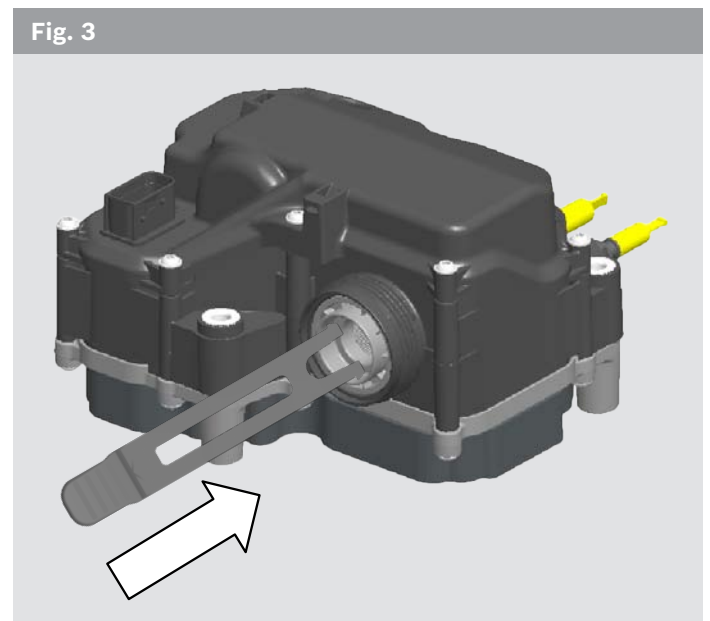
► **Fig. 1:** Removal of the filter cover



► **Fig. 2:** Removal of the equalizing element

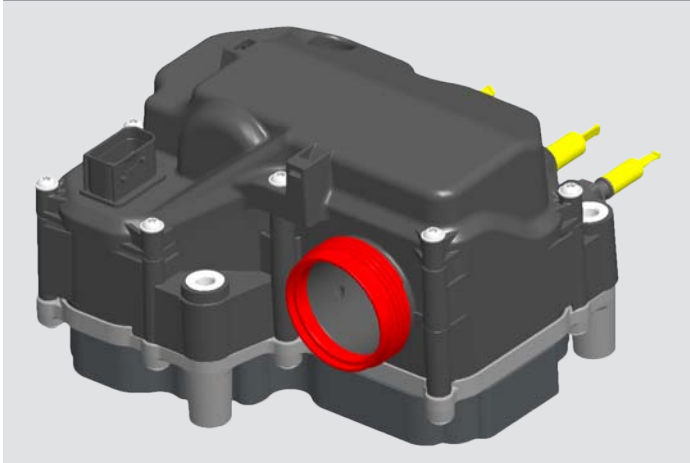


► **Fig. 3 | Fig. 4:** Removal of the main filter



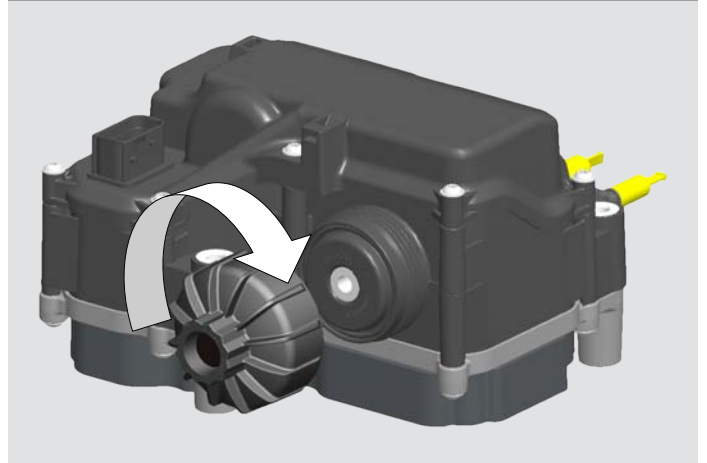
- **Fig. 5:** Cleaning of functional surfaces with water only

Fig. 5



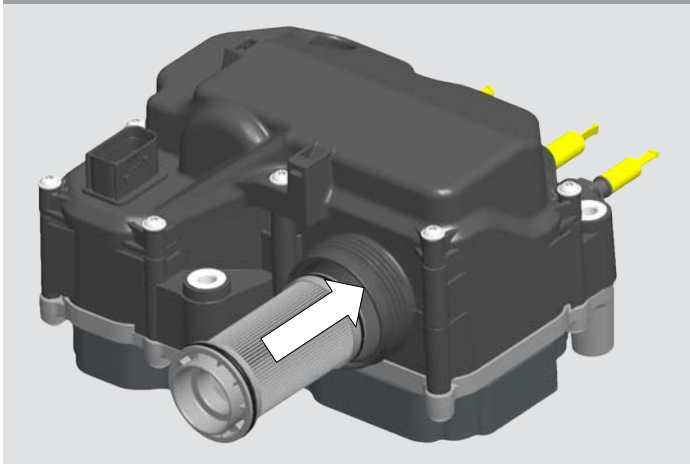
- **Fig. 8:** Mounting of the filter cover with 20N +/-5

Fig. 8



- **Fig. 6:** Assembly of the new filter (Oil the O-rings of the filter with Mobil Velocite Nr. 6 oil)

Fig. 6



- **Fig. 7:** Assembly of the new equalizing element, oil the O-ring (red part in the picture) with Mobile Velocite Nr. 6 oil)

Fig. 7

