



COMFORT

particle filter



715658  
FH341

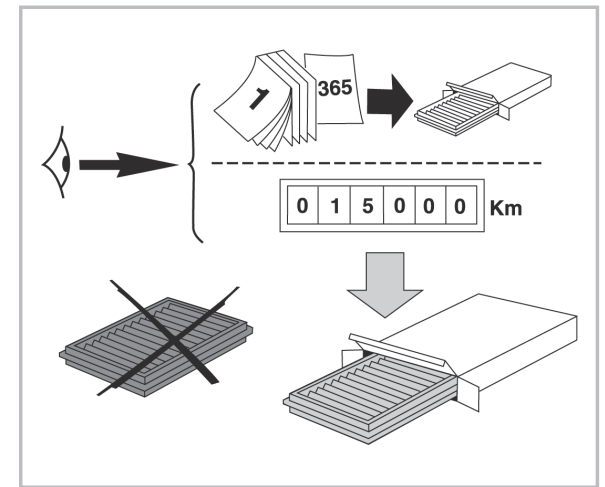
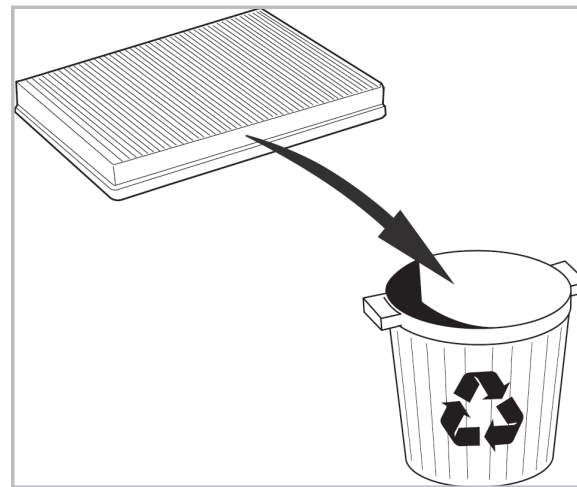
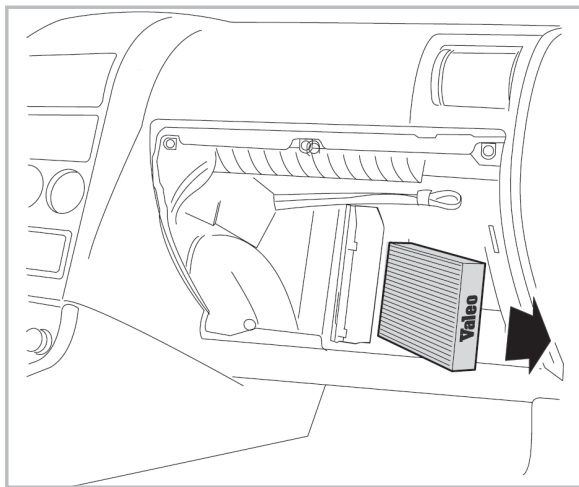
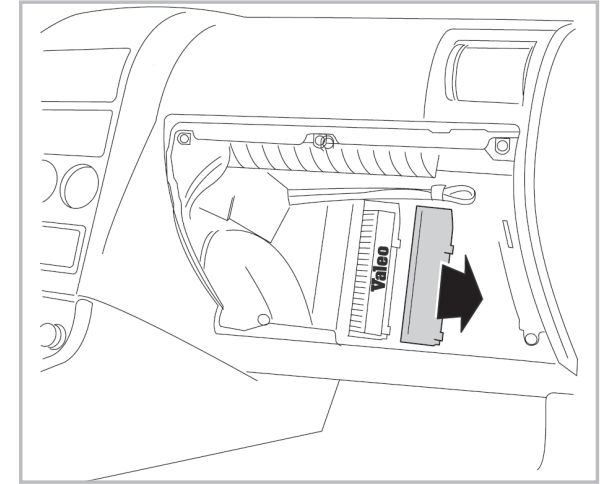
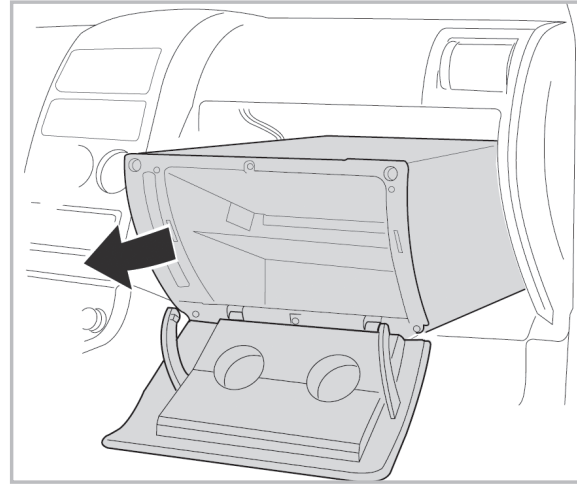
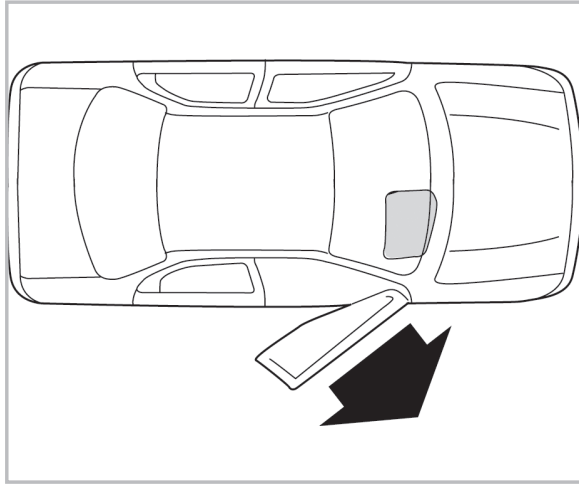


WANT TO KNOW MORE?



www.valeo-techassist.com

FOR  
**CHEVROLET** CRUZE A/C+/- (03/09 >)  
**OPEL** INSIGNIA A/C+/- (01/09 >) / MERIVA A/C+/- (06/10 >)





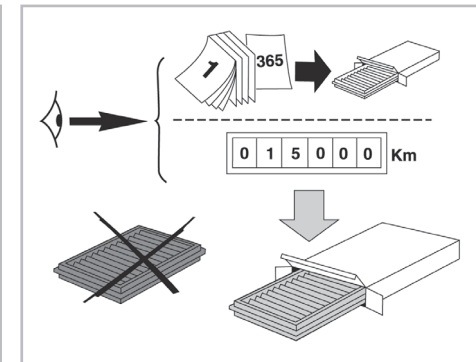
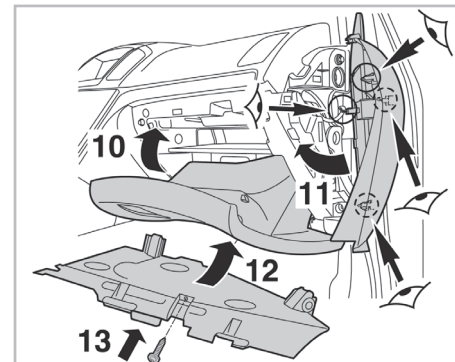
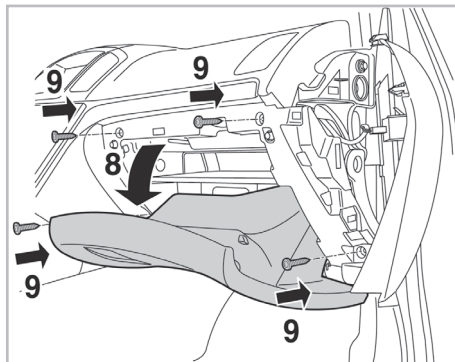
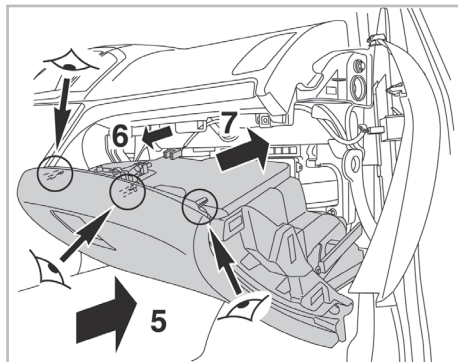
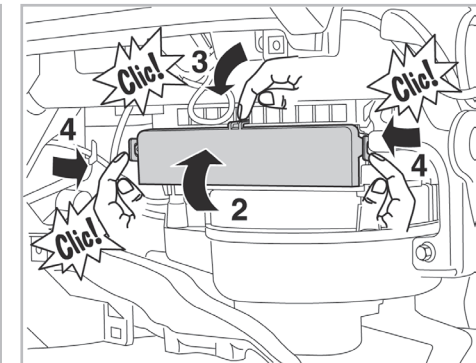
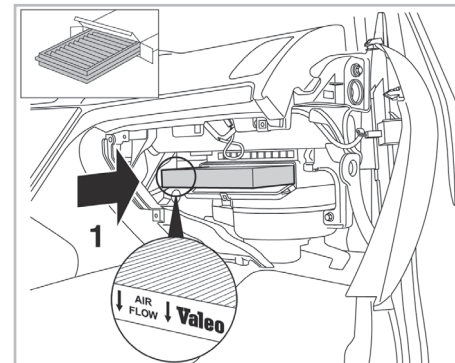
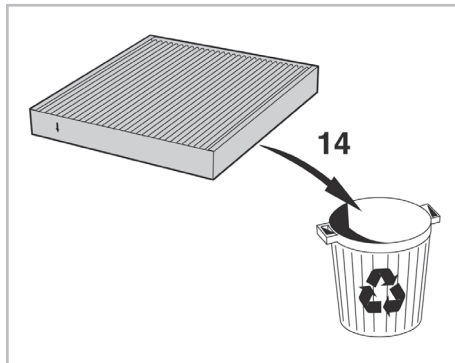
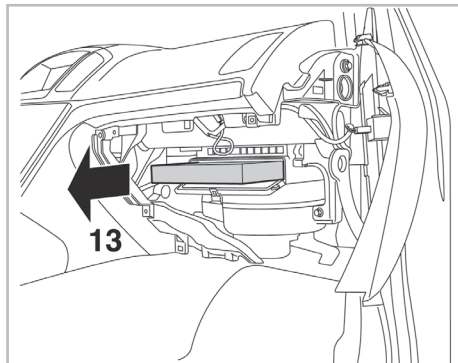
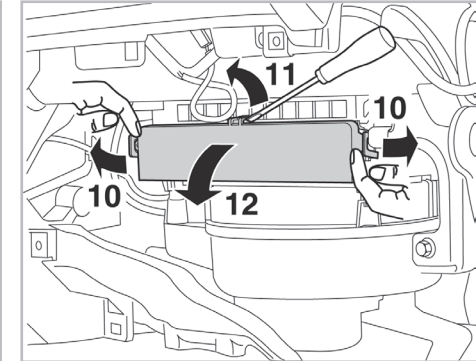
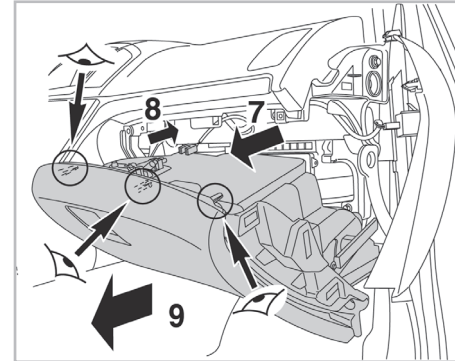
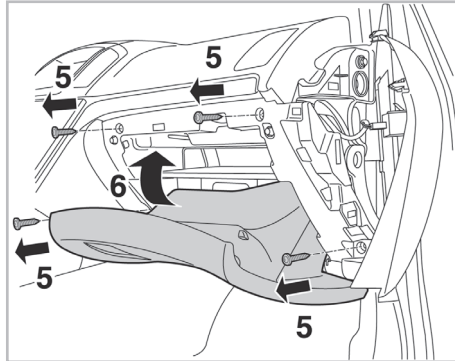
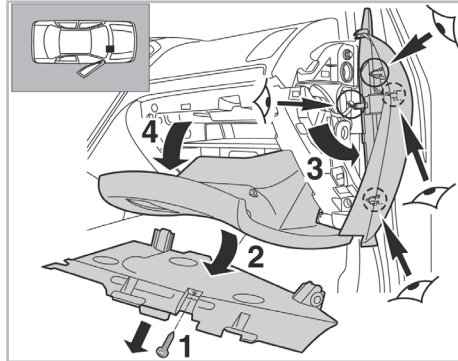
COMFORT

particle filter



FOR  
OPEL

ASTRA J A/C+/- (11/09 >)



715658

FH341



PA

WANT TO  
KNOW MORE?



www.valeo-techassist.com

Valeo Service - Société par Actions Simplifiée - Capital de 12 900 000 € - 70, rue Pleyel, 93285 Saint-Denis cedex - France - B 306 486 408 RCS Bobigny